

Bath Bench

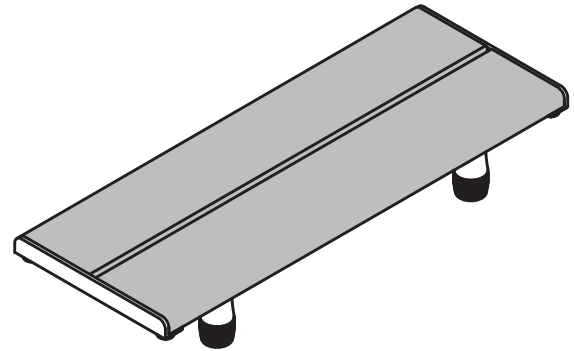
For Bathtubs

INVISIA
LIVE BEAUTIFULLY

Technical Data Sheet

Product Specification

The bath bench shall be made from Laminated Bamboo. The bath bench shall span across and rest on the top surface of the bathtub, with a minimum of 1.25"/3.18cm on each side. Adjustable traction feet should provide stability against inside of the bathtub. The seat frame shall be constructed of corrosion resistant 6061-T6 aluminum. Product shall have a weight capacity in excess of 500lbs / 227kg.



Key Features

- Bamboo Seat
- Removable when not in use
- Adjustable traction feet to secure
- 500lbs / 227kg Weight Capacity

Codes and Standards

- ADA 610.4 Structural Strength



Specified Model

Model	AA - Length	BB - Bamboo Stain	CCC - Frame Finish	Frame Material
INV-WSBB-AA-BBB-CCC	30 35	ASH (Ash) WNT (Walnut)	BLK (Matte Black) BN (Brushed Nickel) CRP (Triple Chrome Plate) ORB (Oil Rubbed Bronze) PCG (Powder Coat Grey)	Aluminum 6061-T6

Bath Bench

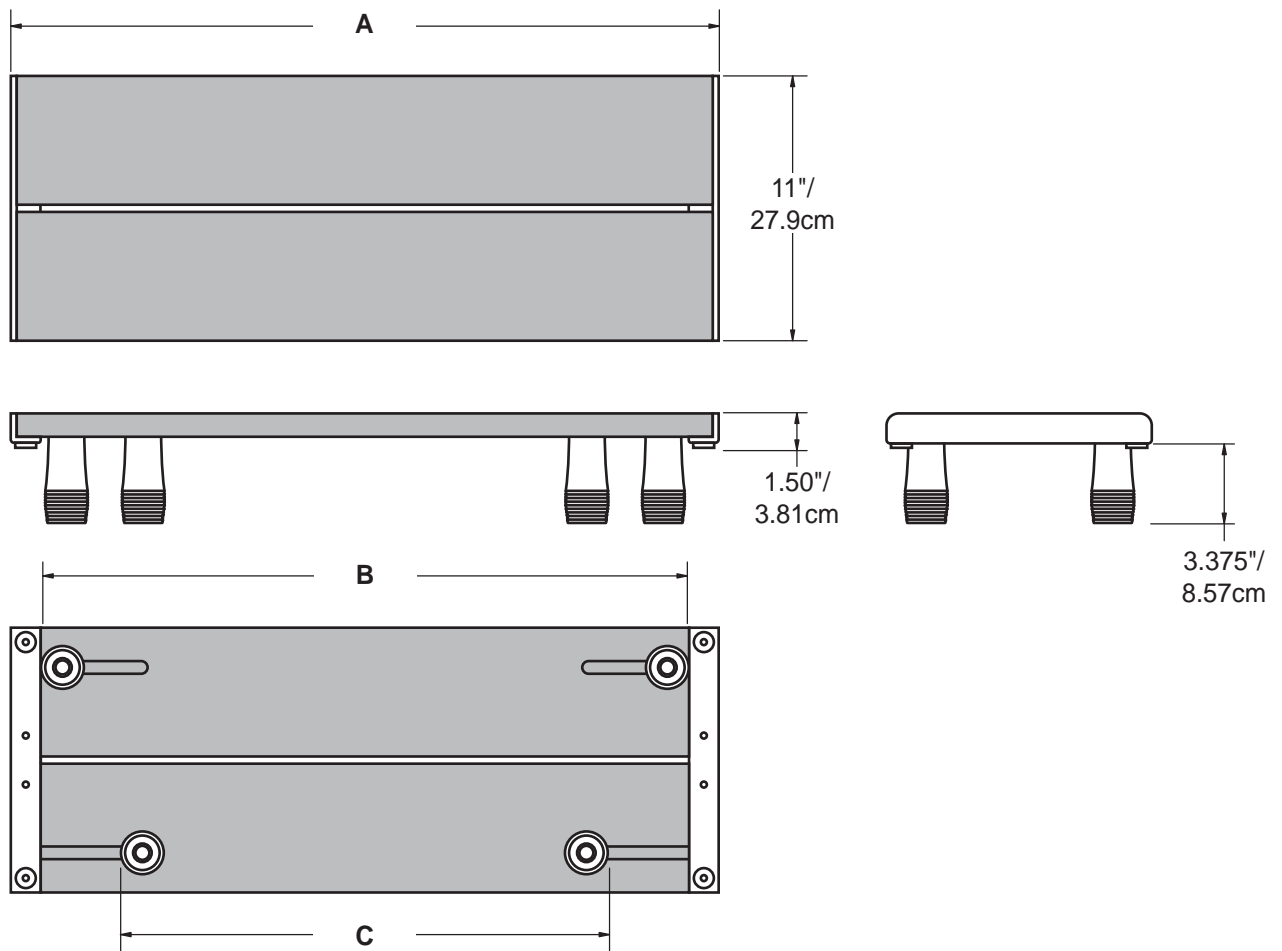
For Bathtubs

INVISIA
LIVE BEAUTIFULLY

Technical Data Sheet

Product Dimensions

Model	A (Back Rest)	B (Seat)	C (Hole Spacing)	Weight
WSBB-30	29.5" / 74.9cm	27.25" / 69.2cm	19.75" / 50.2cm	12lbs / 5.4kg
WSBB-35	34.5" / 87.63cm	32.35" / 82.17cm	24.75" / 62.87cm	12lbs / 5.4kg



Shipping Dimensions

Model	Height (H)	Width (W)	Depth (D)	Weight
WSBB-30	4" / 10.2cm	32" / 81.3cm	12" / 30.5cm	12lbs / 5.4kg
WSBB-35	4" / 10.2cm	37" / 93.98cm	12" / 30.5cm	12lbs / 5.4kg