

## THANK YOU...

Thank you for purchasing the HealthCraft™ Bath Board. We are confident that you will find the durable construction of this product to be of great assistance in your daily routine.

To fully enjoy your Bath Board, please take a few moments to read these instructions. You should store these instructions in a safe place for future reference.

## WARRANTY

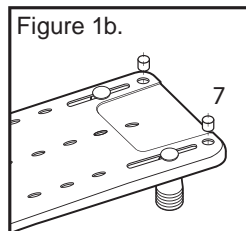
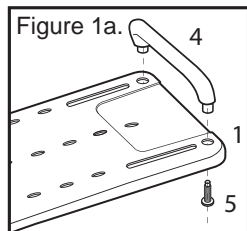
HealthCraft's Bath Board has a limited lifetime warranty with the exception of parts which are subject to normal wear. Buyer hereby indemnifies, agrees to hold harmless and defend HealthCraft™ Products Inc. from and against any and all liabilities, claims, (founded and unfounded), losses, damages, costs and expenses (including without limitation consequential damages and reasonable professional fees) resulting from buyers specification, application, or improper use of goods described hereon; buyers omission or neglect.

HealthCraft™ Products Inc. does not assume any liability for damage resulting from services performed by others or faulty installation, misuse or misapplication of goods sold by HealthCraft™ Products Inc.

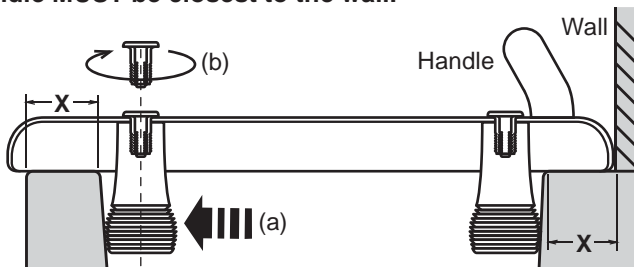
HealthCraft™ Products Inc. shall not be liable for prospective profits or special, indirect, or consequential damages, or for the cost of any corrective work done without HealthCraft™ Products Inc. prior approval. HealthCraft™ Products Inc. total liability hereunder shall in no event exceed the purchase price of the goods specified hereon.

## INSTALLATION INSTRUCTIONS

1. Secure handle (4) to bath board (1) using handle screws (5) as shown in **Figure 1a**. If not using handle, insert hole plugs (7) into the bath board as shown in **Figure 1b**.



2. Ensure there is a minimum horizontal flat surface of 1.5"/38mm (X) on the tub rim for the bath board overhang to rest upon as shown below. Adjust friction feet to fit snug inside bathtub (a). Tighten the screw to secure friction feet in place (b). **NOTE: The side of the bath board with the handle MUST be closest to the wall.**

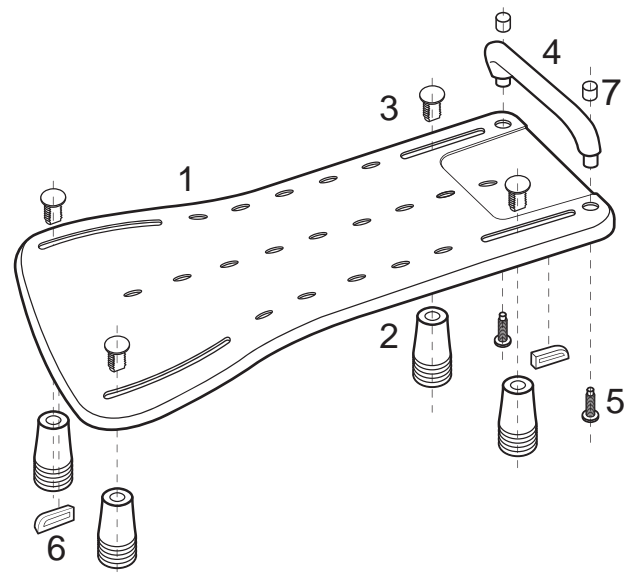


## SAFETY CONSIDERATIONS

Bath Board can be slippery when wet - use this product with caution. Product intended to be used as a sitting surface only. Do not stand on the bathboard. Do not tip or put an offset load onto the bathboard or injury may occur. Inspect frequently to ensure all screws are tight. Clean with water and mild soap. Maximum user weight 330lbs / 150kg. Temperature range: 3 to 70°C.

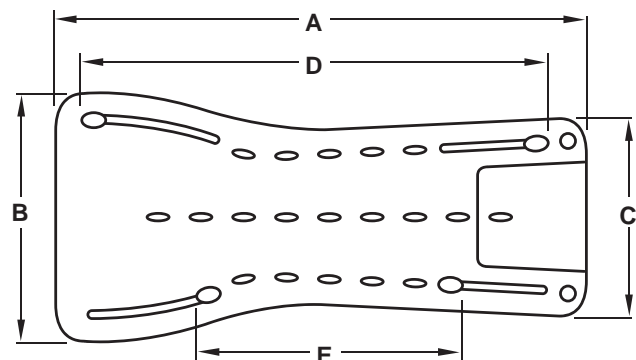
## PARTS DIAGRAM

	DESCRIPTION		DESCRIPTION
1	Bath Board	5	Handle Screws (x2)
2	Friction Feet (x4)	6	Anti-Slip Tabs (x2)
3	Friction Feet Screws (x4)	7	Hole Plugs (x2)
4	Handle		



## GENERAL DIMENSIONS

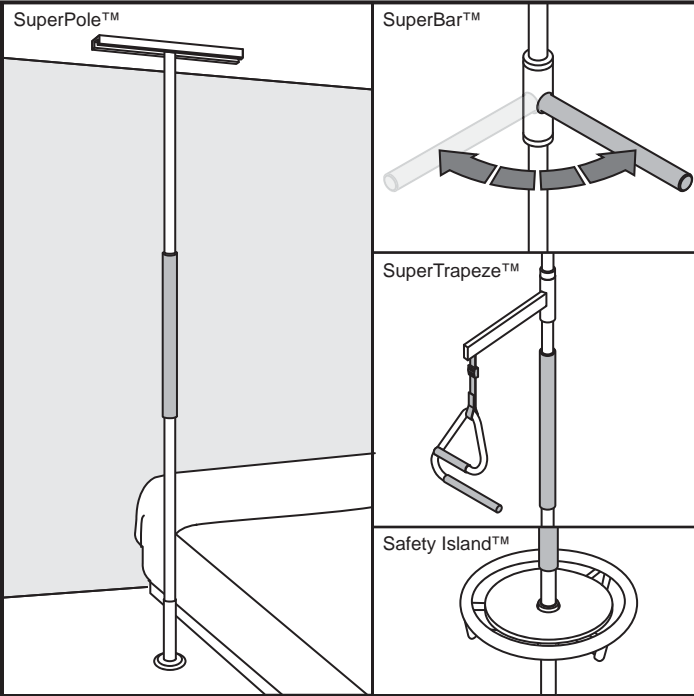
	DESCRIPTION	DISTANCE
A	Length of board	27" / 68.5cm
B	Width of board (largest side)	14" / 34.9cm
C	Width of board (smaller side)	12" / 29.5cm
D	Maximum distance between friction feet	25" / 63.6cm
E	Minimum distance between friction feet	15" / 39.0cm





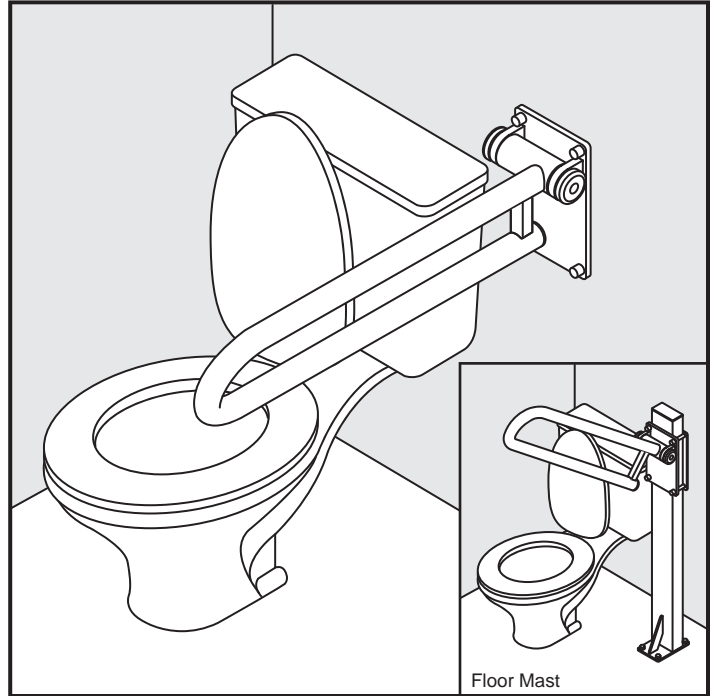
www.healthcraftproducts.com

# Additional Bathroom Safety Product from HealthCraft



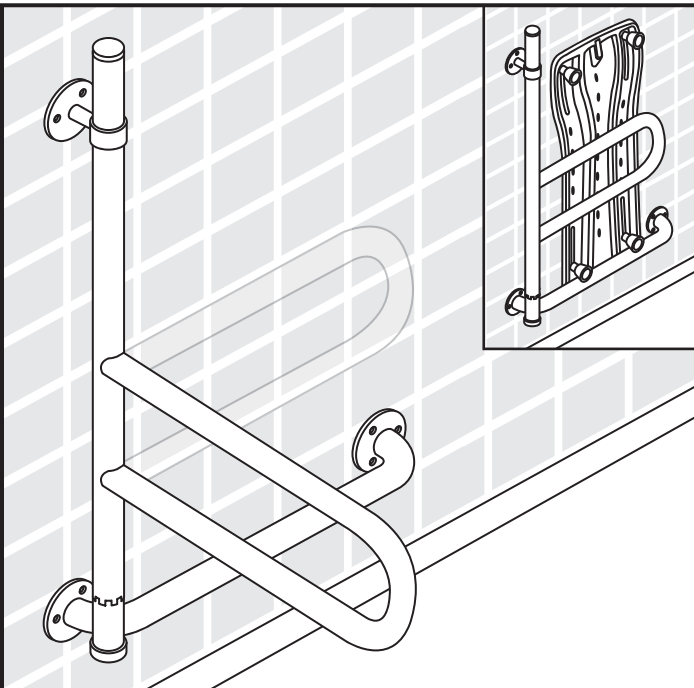
## SuperPole™ System

An award winning modular support system designed for those requiring assistance with standing or transferring. Central to the system is a stylish floor-to-ceiling grab bar, which provides a secure structure that can be installed in minutes between a floor and ceiling.



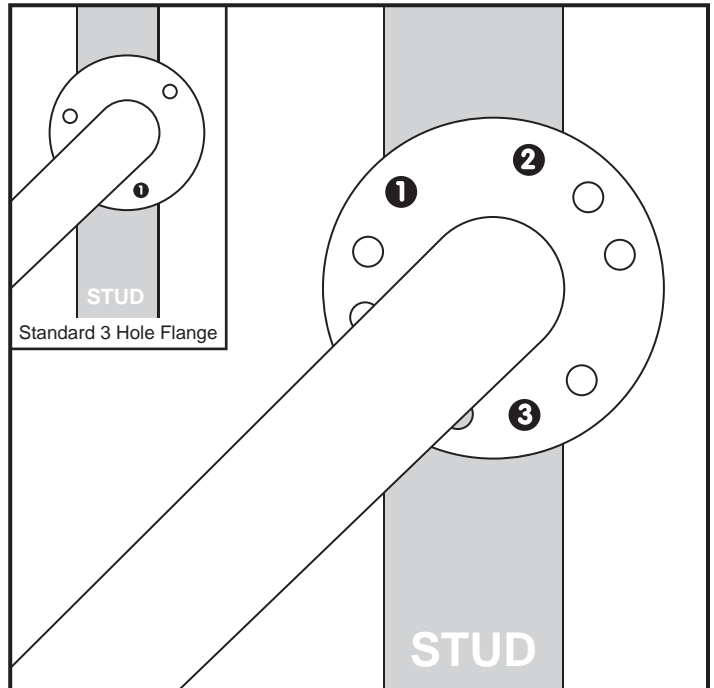
## P.T.Rail™

A support rail which promotes safe standing and transfers to and from a toilet. Combines an exceptionally solid feel, and an innovative offset rail design. Available in hinged or fixed models, wall or floor mount depending on installation requirements. Available in various finishes.



## Depend-a-Bar™

A breakthrough combination of a wall mounted grab bar, and the proven benefits of a pivoting and locking dual rail. Designed for bathing, toileting and other environments where grab bars are found. Stainless steel construction resists rusting.



## Easy Mount™ Grab Bars

Unlike 3 hole flanges that limit screw placement, HealthCraft's innovative 9-hole Easy Mount™ flange design allows for greater mounting flexibility to structural studs. ADA compliant rail diameter and wall clearance. Stainless steel construction resists rusting.