

Front Entry

Actual Size: 32x40x42

Seat Width: 24 inches

Shipping Size: 34x43x50

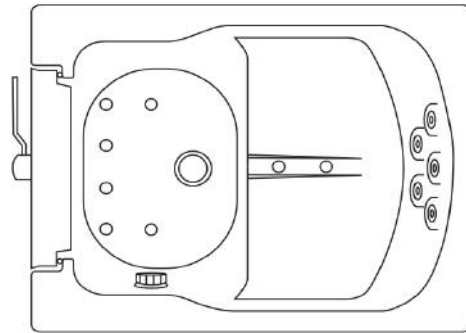
Shipping Weight: 280 lbs.

Net Weight: 200 lbs.

Water Capacity: 70 gal.

Occupied: 25-55 gal.

Drainage Time: +/- 140 sec at ideal home plumbing conditions (occupied)



Included Features

1. Acrylic Tub Shell:
 - High quality acrylic
 - Excellent color uniformity
 - High Gloss White Finish
2. Stainless Steel Frame with Adjustable Leveling Legs
3. Plastic composite and tempered glass outward swing door with gear and shaft mechanics for 3 door latches
4. Two (2) side panels

Floor Drains

1. One (1) 2" PVC T-type two (2) outlet drain with endcap; one (1) overflow and cable operated opener with extended handle for easier grip in chrome finish

Warranty

- Lifetime limited warranty on acrylic walk in tub shell, frame, and door
- 5 year parts warranty (please visit www.ellasbubbles.com for more detailed information)

Optional Jetting

(Please refer to diagrams below based on selected package)

1. Hydro Massage System
 - Hydro Massage Pump 5AMP 600W
 - Hydro massage intensity dial air control
 - In-line water heater 5.5AMP 650W
 - Ozone Sterilization
 - Refer to technical drawing for jet count
2. Air Massage System
 - Air Massage Pump 4.5AMP 486W
 - Refer to technical drawing for jet count
 - 3 Speed Pump
 - Autopurge (Activates 20 minutes after pump shutdown)
3. MicroBubble Therapy System
 - 1HP Pump 10AMP 1200W
 - Pressure Vessel
 - On/Off Push Control
 - Agitator Valve
4. Dual Jetting (Air + Hydro)
5. Soaking (No Jetting Option)

Optional Features

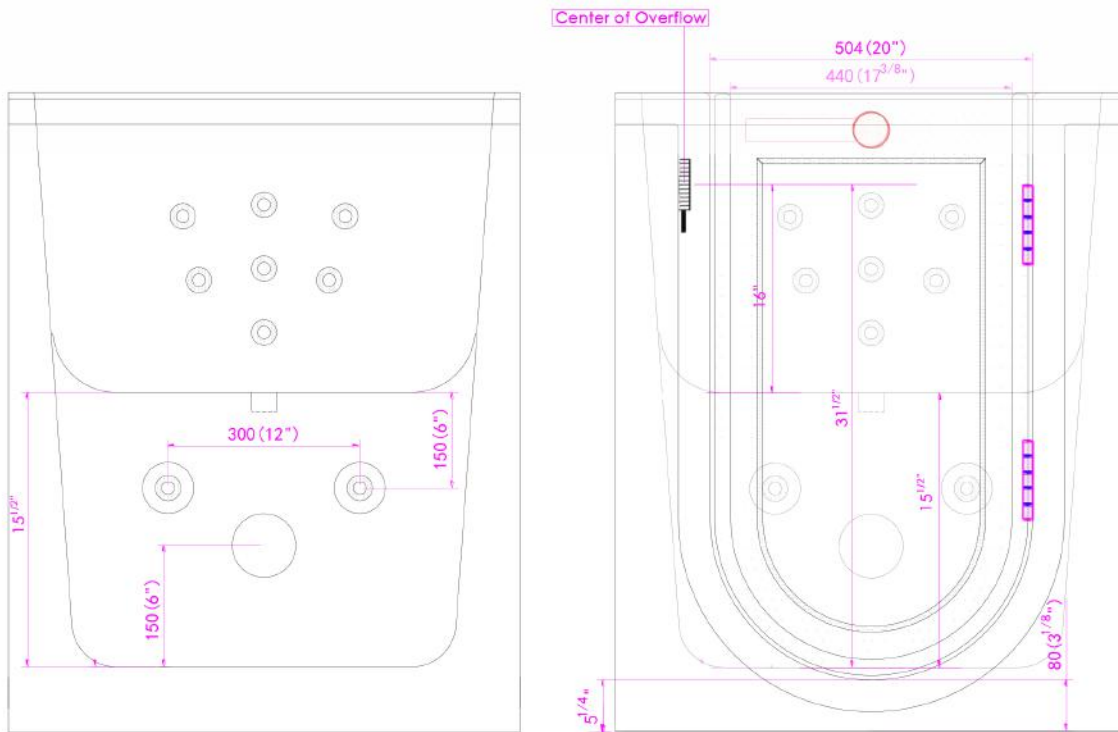
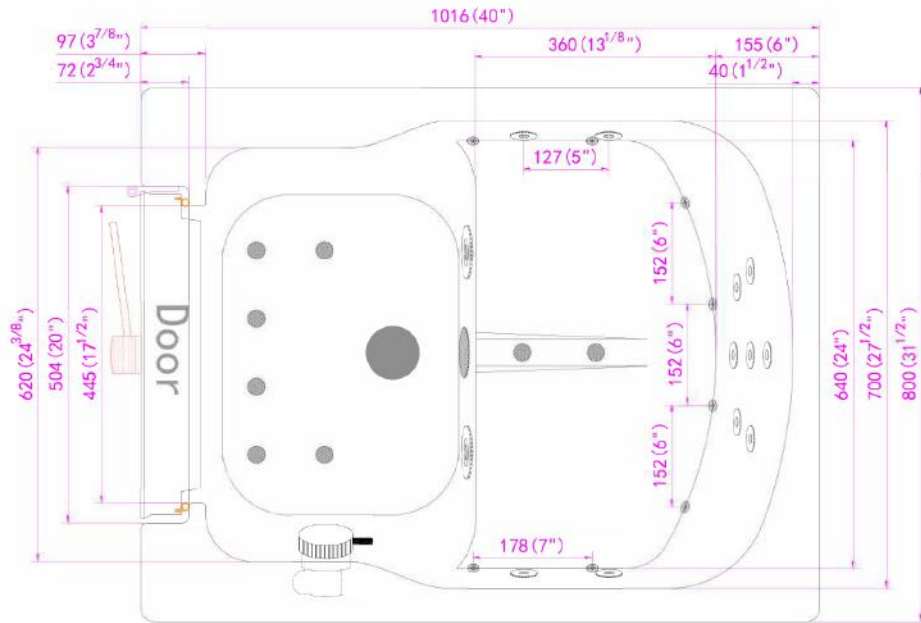
1. Heated Seat and Backrest 4AMP 470W
2. Aromatherapy
3. On/Off Push Controls or Digital Controller

Faucet Options

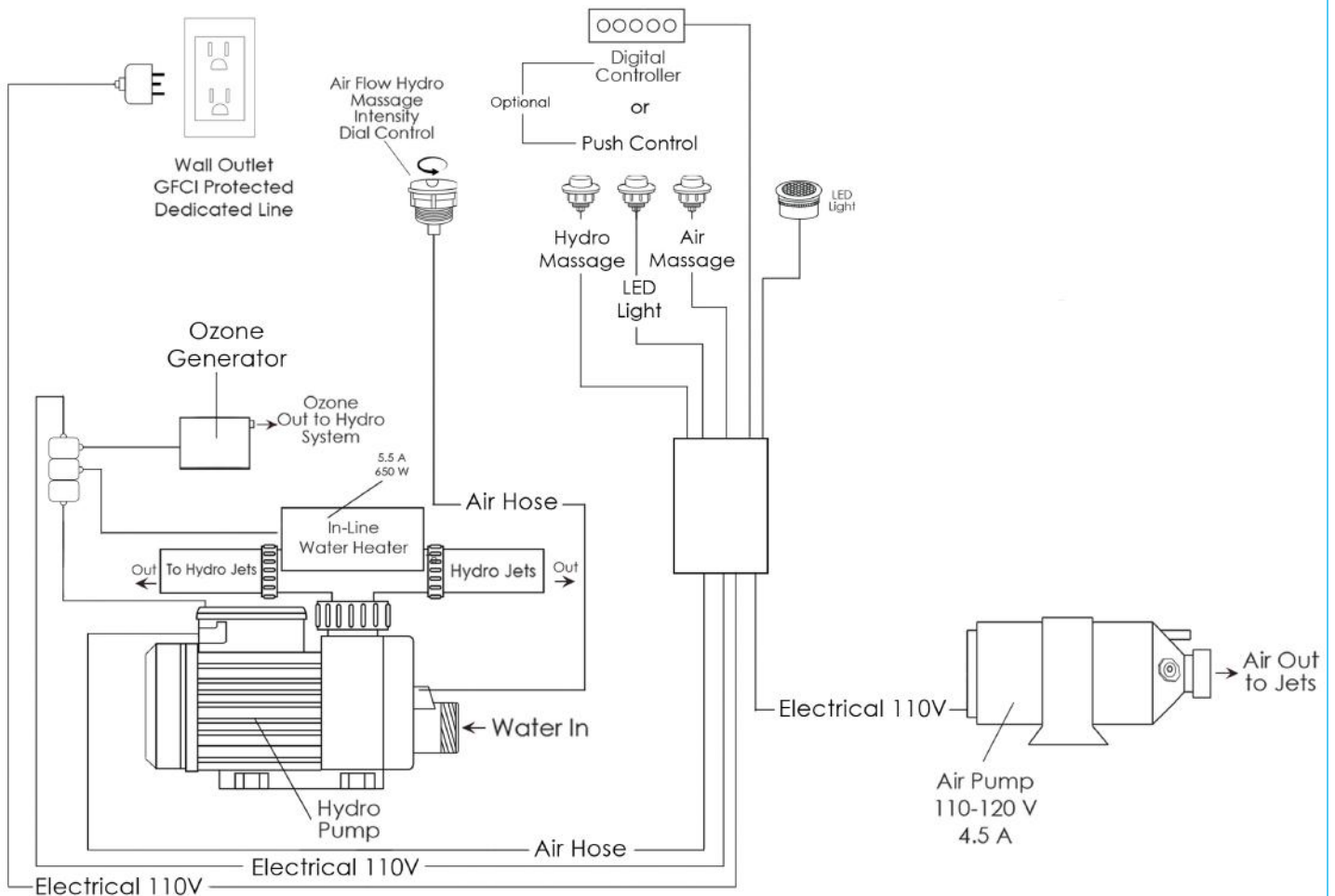
1. Two-Piece Fast Fill Huntington Brass Faucet Set
 - 14-18 GPM (average) @ 60 PSI at ideal in home plumbing conditions
 - Push diverter mechanism for hand mixer
 - 5 year warranty
visit www.huntingtonbrass.com/warranty for full warranty information

Electrical Requirements:

Please refer to Technical Diagrams for more information



Hydro Massage + Air Massage
(Dual)



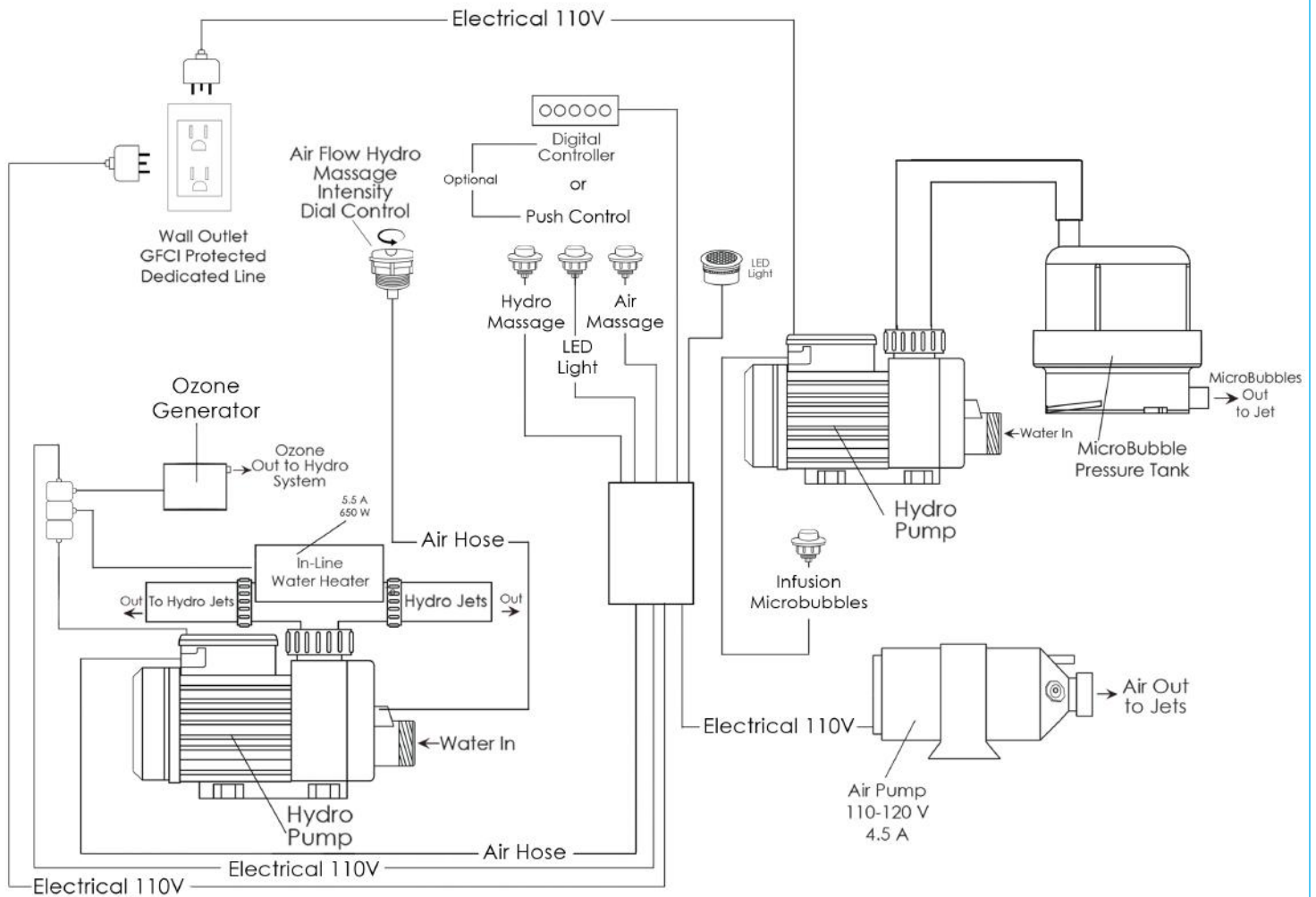
Package Jetting Information:

- 1. Hydro Massage System** 5AMP 600W
 - Refer to technical drawing for jet count
 - Hydro Massage Air Flow Intensity Control
 - In-line water heater 5.5AMP 650W
 - Ozone Sterilization
- 2. Air Massage System** 4.5AMP 486W
 - Refer to technical drawing for jet count
 - Variable speed pump with autopurge

Electrical Requirements:

One (1) dedicated 120V electrical line with a 20AMP GFCI standard three prong outlet is required

Hydro Massage + Air Massage + Infusion Microbubble Therapy



Package Jetting Information:

1. Hydro Massage System 5AMP 600W

- Refer to technical drawing for jet count
- Hydro Massage Air Flow Intensity Control
- In-line water heater 5.5AMP 650W
- Ozone Sterilization

2. Air Massage System 4.5AMP 486W

- Refer to technical drawing for jet count
- Variable speed pump with autopurge

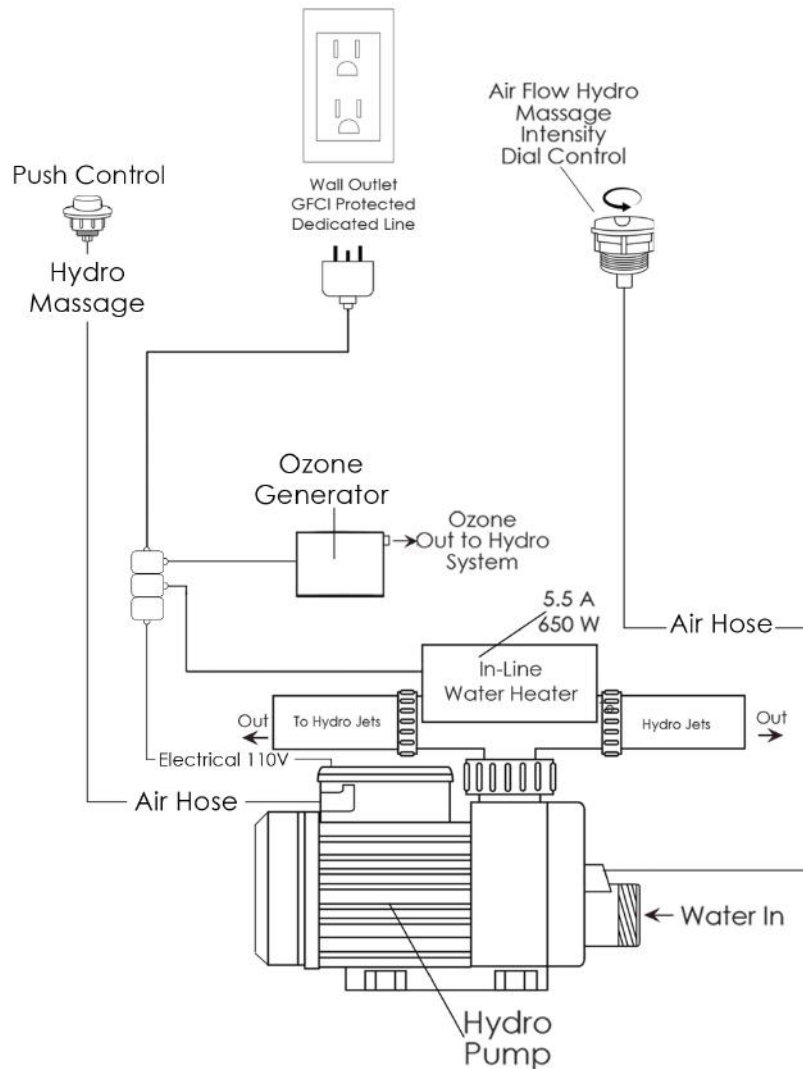
3. MicroBubble Therapy System 10AMP 1200W

- 1HP Pump
- Pressure Vessel
- Air Switch and one (1) jet
- Agitator Valve

Electrical Requirements:

Two (2) dedicated 120V electrical lines with 20AMP GFCI standard three prong outlets are required

Hydro Massage



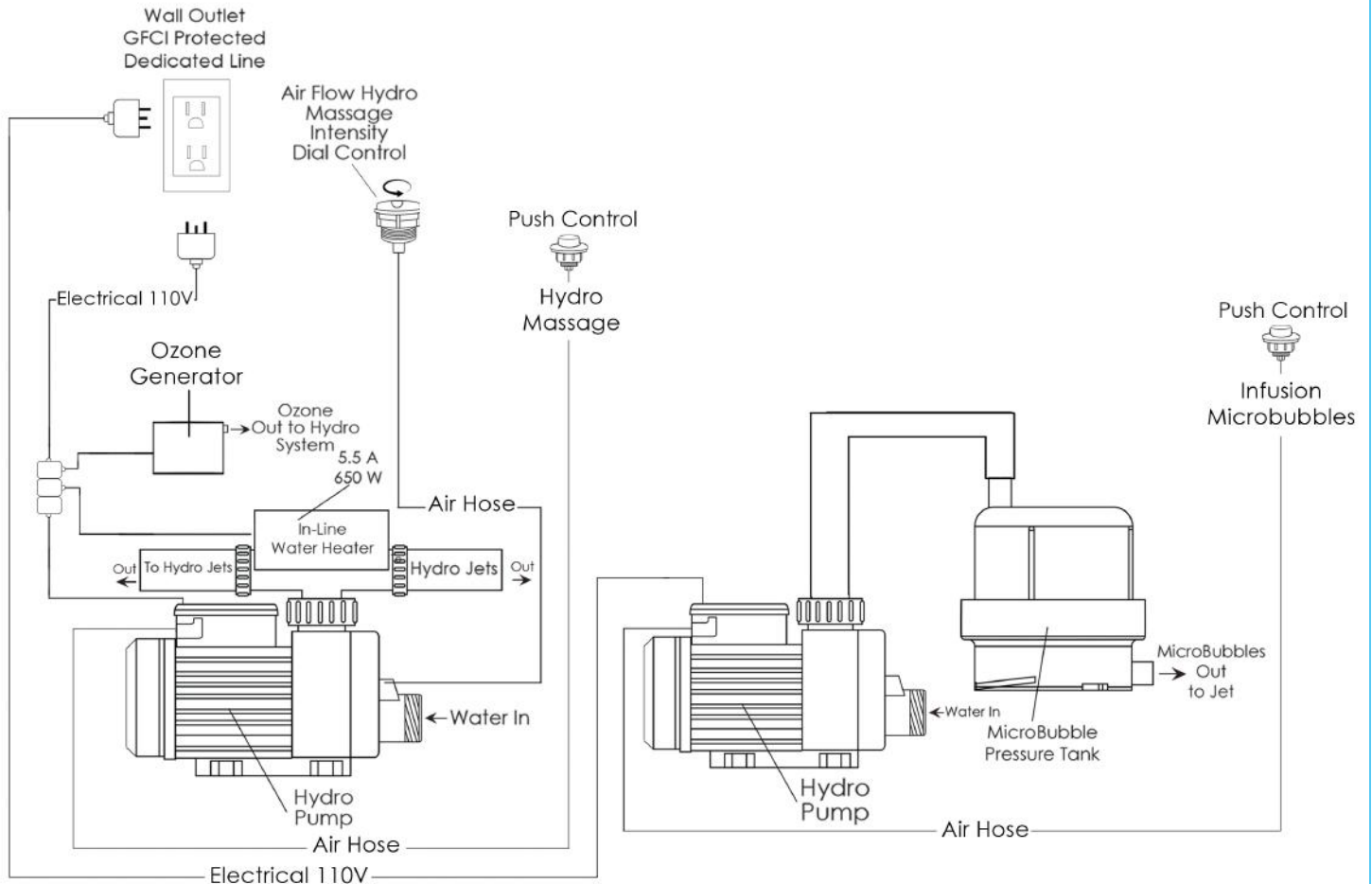
Package Jetting Information:

- 1. **Hydro Foot Massage System** 5AMP 600W
 - Refer to technical drawing for jet count
 - Hydro Massage Air Flow Intensity Control
 - In-line water heater 5.5AMP 650W
 - Ozone Sterilization

Electrical Requirements:

One (1) dedicated 120V electrical line with a 20AMP GFCI standard three prong outlet is required

Hydro Massage + Infusion Microbubble Therapy



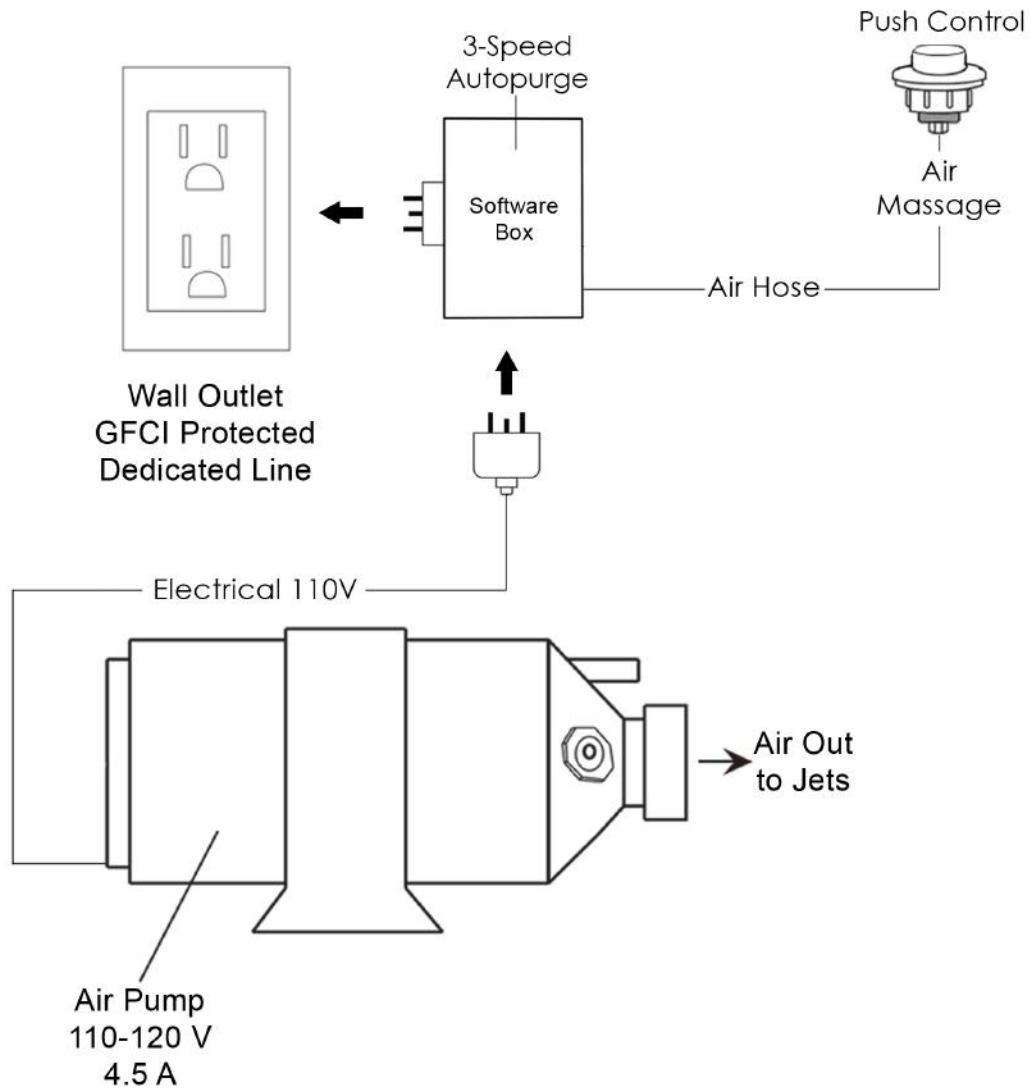
Package Jetting Information:

- 1. Hydro Massage System 5AMP 600W**
 - Refer to technical drawing for jet count
 - Hydro Massage Air Flow Intensity Control
 - In-line water heater 5.5AMP 650W
 - Ozone Sterilization
- 2. MicroBubble Therapy System 10AMP 1200W**
 - 1HP Pump
 - Pressure Vessel
 - Air Switch and one (1) jet
 - Agitator Valve

Electrical Requirements:

One (1) dedicated 120V electrical line with a 20AMP GFCI standard three prong outlet is required

Air Massage



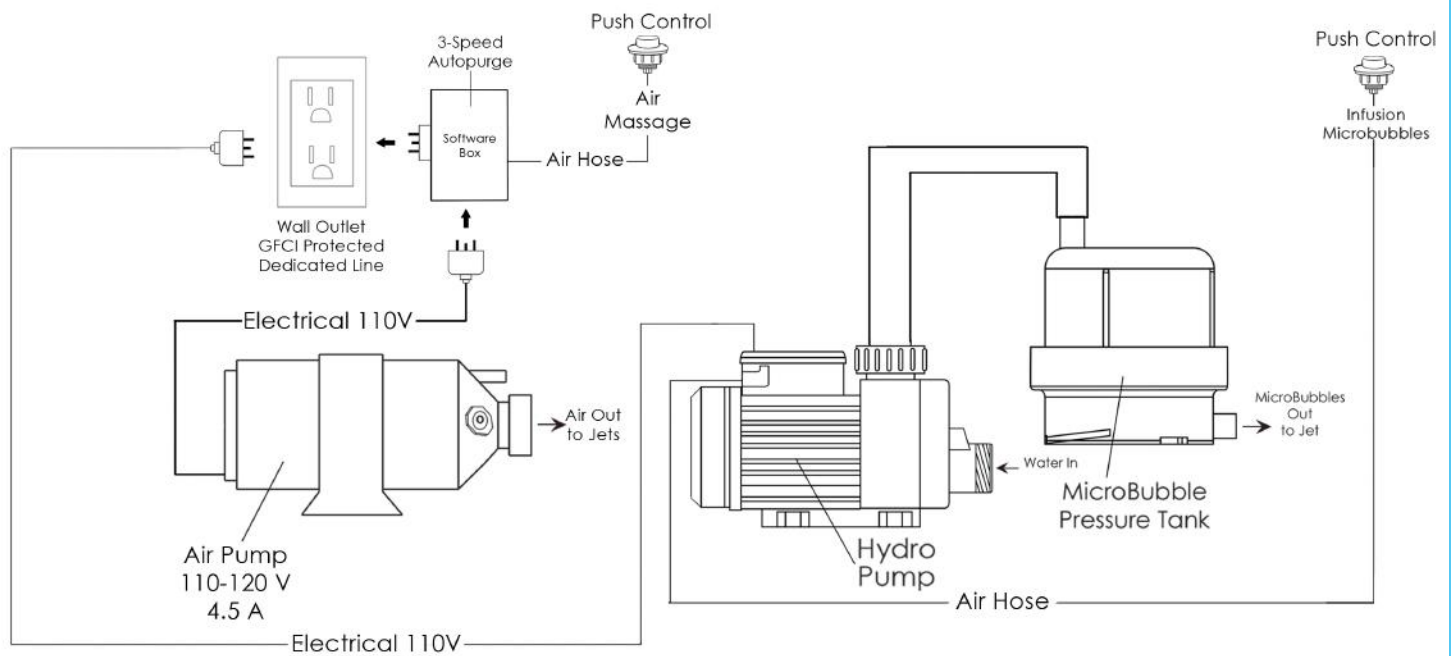
Package Jetting Information:

- 1. Air Massage System** 4.5AMP 486W
- Refer to technical drawing for jet count
 - Variable speed pump with autopurge

Electrical Requirements:

One (1) dedicated 120V electrical line with a 15AMP GFCI standard three prong outlet is required

Air Massage + Infusion Microbubble Therapy



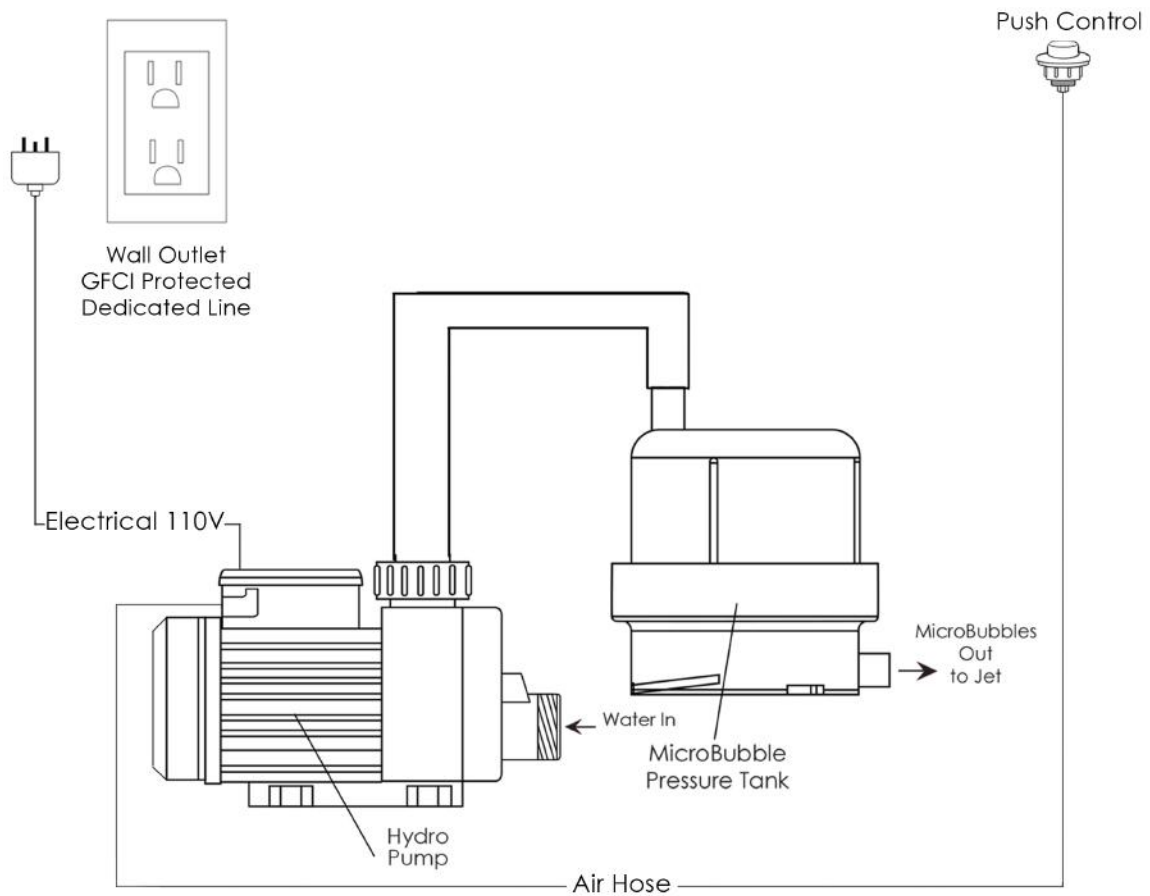
Package Jetting Information:

- 1. Air Massage System** 4.5AMP 486W
 - Refer to technical drawing for jet count
 - Variable speed pump with autopurge
- 2. MicroBubble Therapy System** 10AMP 1200W
 - 1HP Pump
 - Pressure Vessel
 - Air Switch and one (1) jet
 - Agitator Valve

Electrical Requirements:

One (1) dedicated 120V electrical line with a 20AMP GFCI standard three prong outlet is required

Infusion Microbubble Therapy



Package Jetting Information:

1. MicroBubble Therapy System 10AMP 1200W

- 1HP Pump
- Pressure Vessel
- Air Switch and one (1) jet
- Agitator Valve

Electrical Requirements:

One (1) dedicated 120V electrical line with a 20AMP GFCI standard three prong outlet is required