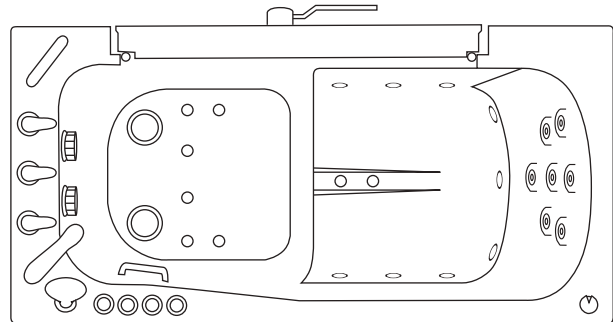


## Transfer60

**Actual Size:** 29x59x42  
**Seat Width:** 22 inches  
**Shipping Size:** 34x62x50  
**Shipping Weight:** 300 lbs.  
**Net Weight:** 220 lbs.  
**Water Capacity:** 90 gal.  
**Occupied:** 55-75 gal.  
**Drainage Time:** +/- 120 sec at  
 ideal home plumbing  
 conditions



### Included Features

- Acrylic Tub Shell:
  - High quality acrylic
  - Excellent color uniformity
  - High Gloss White Finish
- Stainless Steel Frame with Adjustable Leveling Legs
- Plastic composite and tempered glass outward swing L-shape door with gear and shaft mechanics for 2 latches
- One (1) end panel on faucet side included
- Stainless steel chrome finished U-shape deck mount grab bar and wall mount grab bar

### Floor Drains - 2 Options

- Two (2) 2" PVC T-type two (2) outlet drain with endcaps Two (2) overflows and cable operated openers with extended handles for easier grip in chrome finish
- Two (2) 2" Brass threaded floor drains with copper overflow and cable operated opener with extended handle

### Warranty

- Lifetime limited warranty on acrylic walk in tub shell, frame, and door
- 5 year parts warranty (please visit [www.ellasbubbles.com](http://www.ellasbubbles.com) for more detailed information)

### Optional Jetting

(Please refer to diagrams below based on selected package)

- Hydro Massage System
  - Hydro Massage Pump 5AMP 600W
  - Hydro massage intensity dial air control
  - In-line water heater 5.5AMP 650W
  - Ozone Sterilization
  - Refer to technical drawing for jet count
- Air Massage System
  - Air Massage Pump 4.5AMP 486W
  - Refer to technical drawing for jet count
  - 3 Speed Pump
  - Autopurge (Activates 20 minutes after pump shutdown)

### Optional Jetting

(Please refer to diagrams below based on selected package)

- MicroBubble Therapy System
  - 1HP Pump 10AMP 1200W
  - Pressure Vessel
  - On/Off Push Control
  - Agitator Valve
- Dual Jetting (Air + Hydro)
- Soaking (No Jetting Option)

### Optional Features

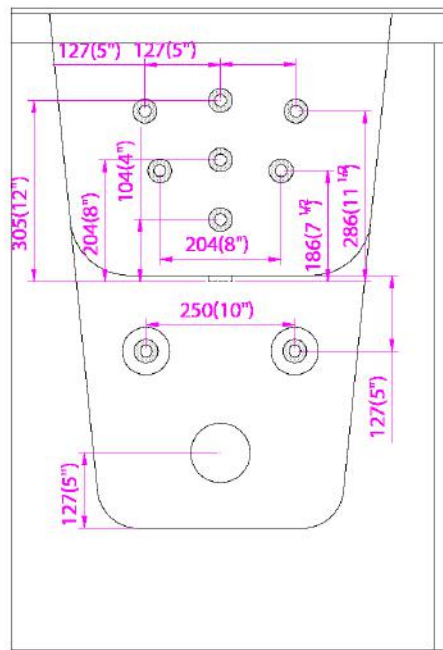
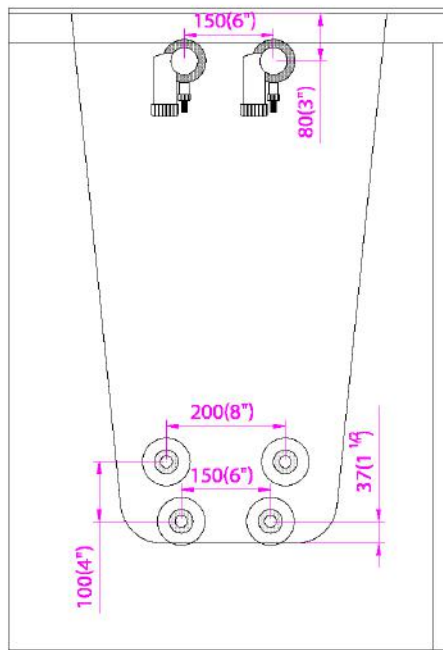
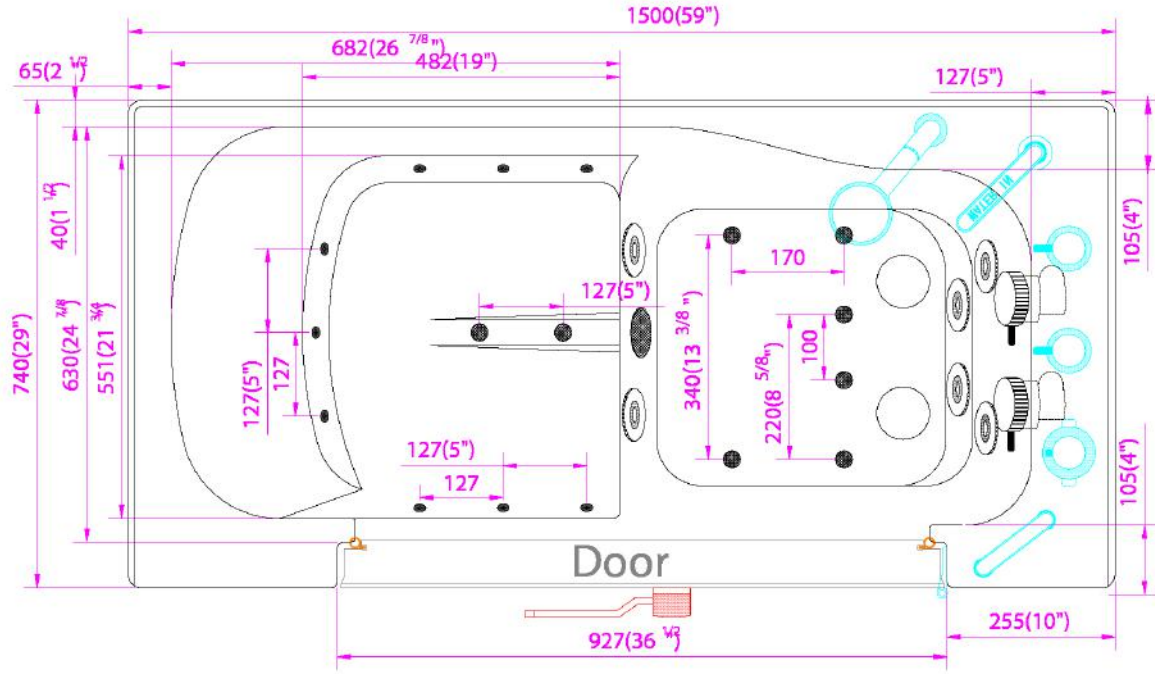
- Heated Seat and Backrest 4AMP 470W
- LED Chromatherapy Light .04AMP (Hydro + Air Package)
- Aromatherapy
- On/Off Push Controls or Digital Controller

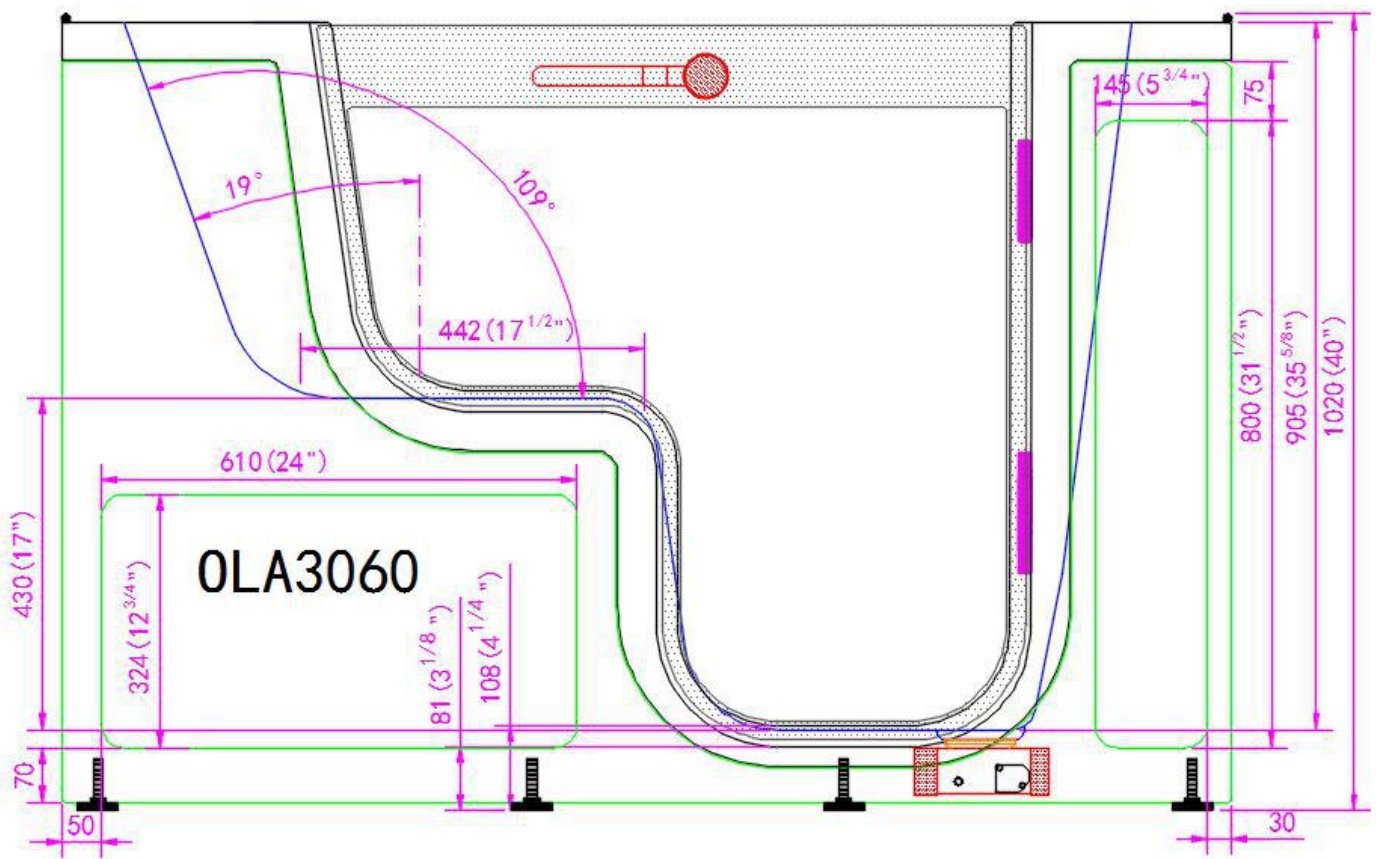
### Faucet Options

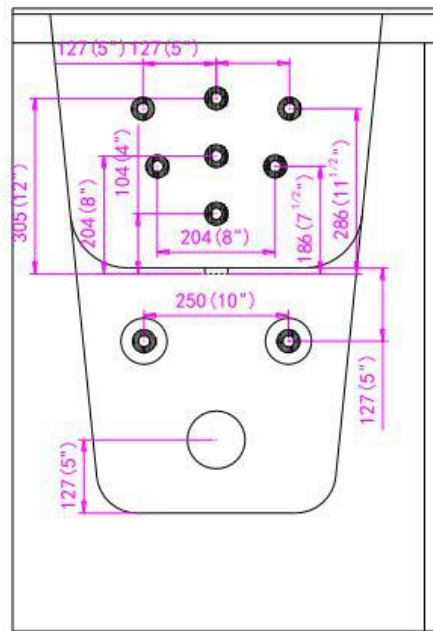
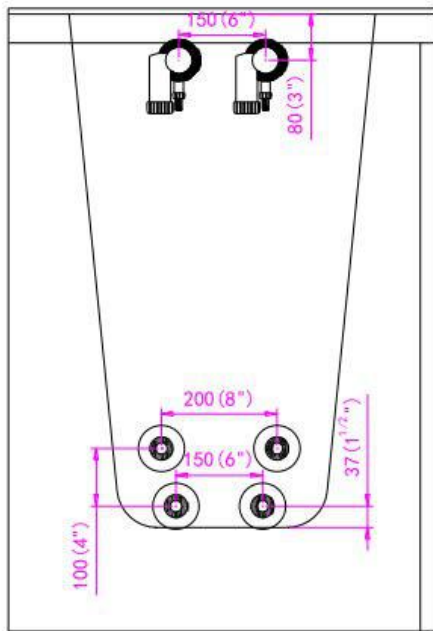
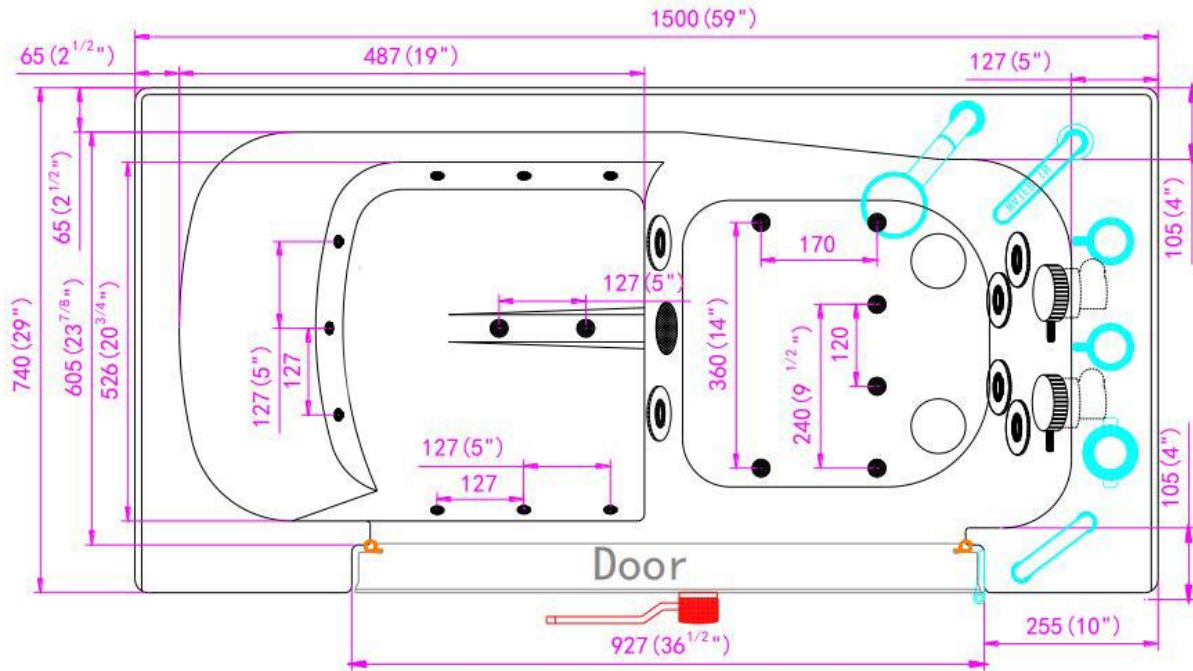
- Five-Piece Thermostatic Control Valve Faucet Set**
  - 7-8 GPM (average) @ 60 PSI at ideal in home plumbing conditions
  - Two (2) 2-way diverters with extension handles
  - Pull out, hand held, chrome plated hand shower with 5 ft. retractable stainless steel braided hose
  - 1 year warranty
- Five-Piece Fast Fill Huntington Brass Faucet Set**
  - 14-18 GPM (average) @ 60 PSI at ideal in home plumbing conditions
  - Pull out, hand held, chrome plated hand shower with 5 ft. retractable stainless steel braided hose
  - 5 year warranty
  - visit [www.huntingtonbrass.com/warranty](http://www.huntingtonbrass.com/warranty) for full warranty information
- Five-Piece Jandon Roman Faucet Set**
  - 14-16 GPM (average) @ 60 PSI at ideal in home plumbing conditions
  - Pull out, hand held, chrome plated hand shower with 5 ft. retractable stainless steel braided hose
  - 5 year warranty
  - visit <https://www.jandonfaucet.com/> for full warranty information

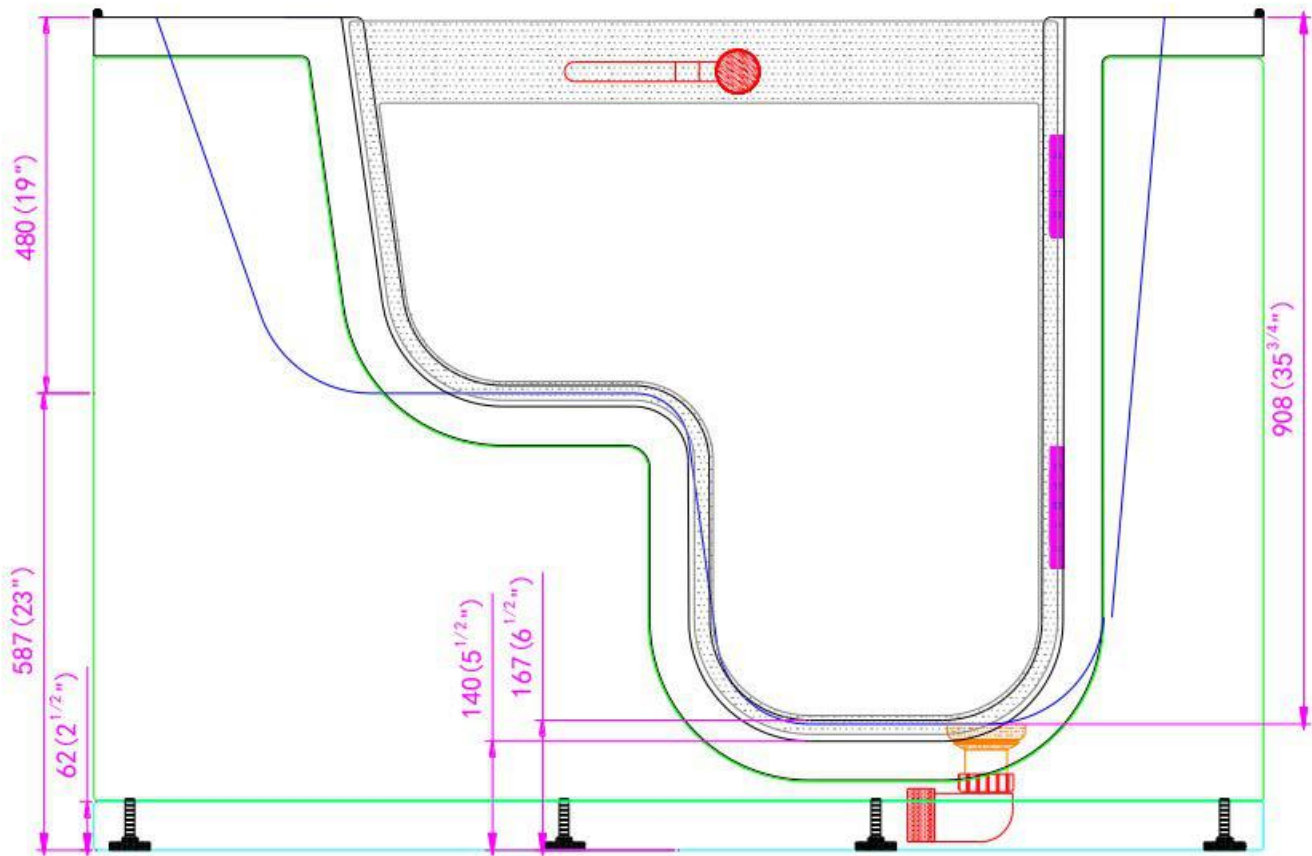
### Electrical Requirements:

Please refer to Technical Diagrams for more information

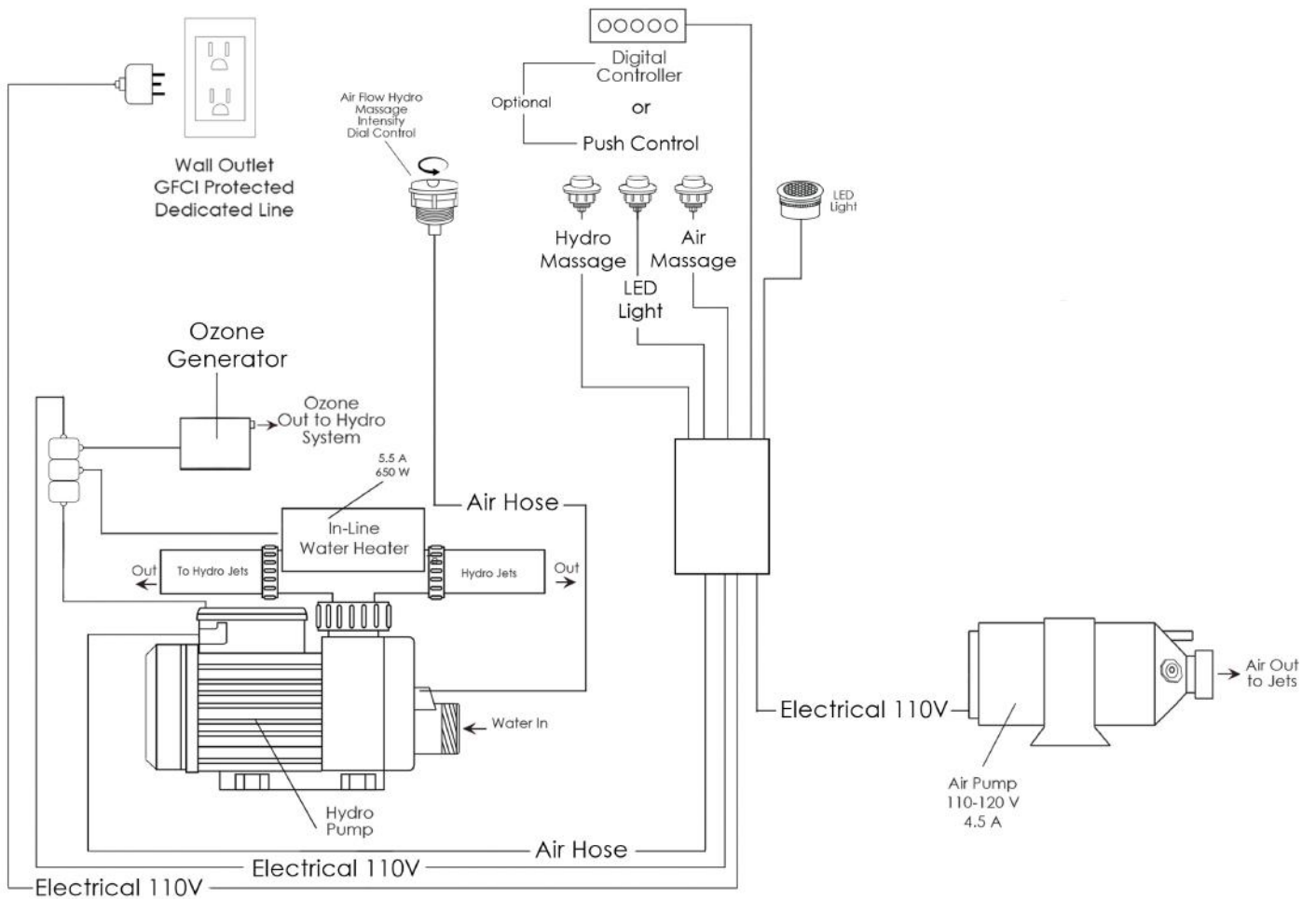








Hydro Massage + Air Massage  
(Dual)



**Package Jetting Information:**

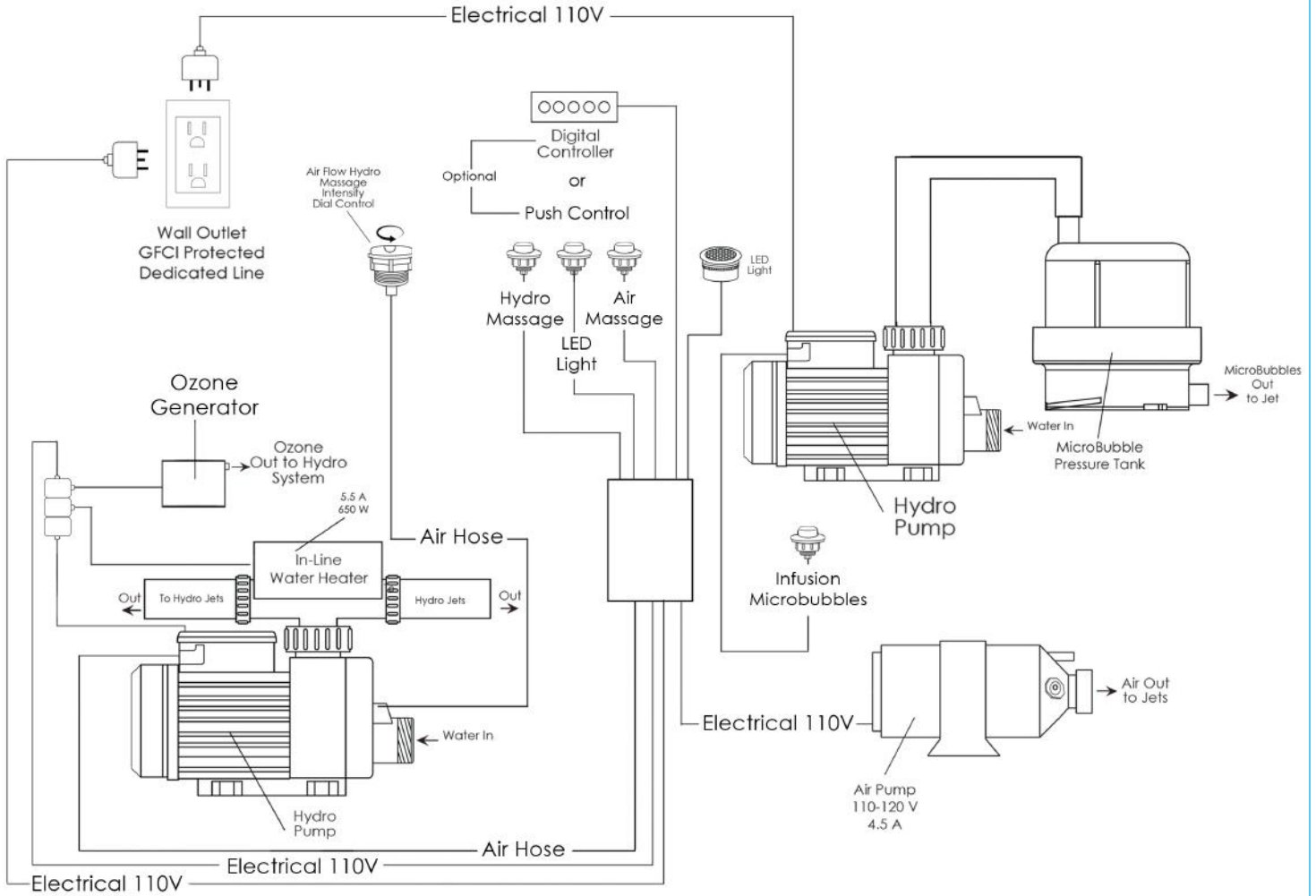
- 1. Hydro Massage System** 5AMP 600W
  - Refer to technical drawing for jet count
  - Hydro Massage Air Flow Intensity Control
  - In-line water heater 5.5AMP 650W
  - Ozone Sterilization
- 2. Air Massage System** 4.5AMP 486W
  - Refer to technical drawing for jet count
  - Variable speed pump with autopurge

**Electrical Requirements:**

One (1) dedicated 120V electrical line with a 20AMP GFCI standard three prong outlet is required



Hydro Massage + Air Massage + Infusion Microbubble Therapy



**Package Jetting Information:**

**1. Hydro Massage System** 5AMP 600W

- Refer to technical drawing for jet count
- Hydro Massage Air Flow Intensity Control
- In-line water heater 5.5AMP 650W
- Ozone Sterilization

**2. Air Massage System** 4.5AMP 486W

- Refer to technical drawing for jet count
- Variable speed pump with autopurge

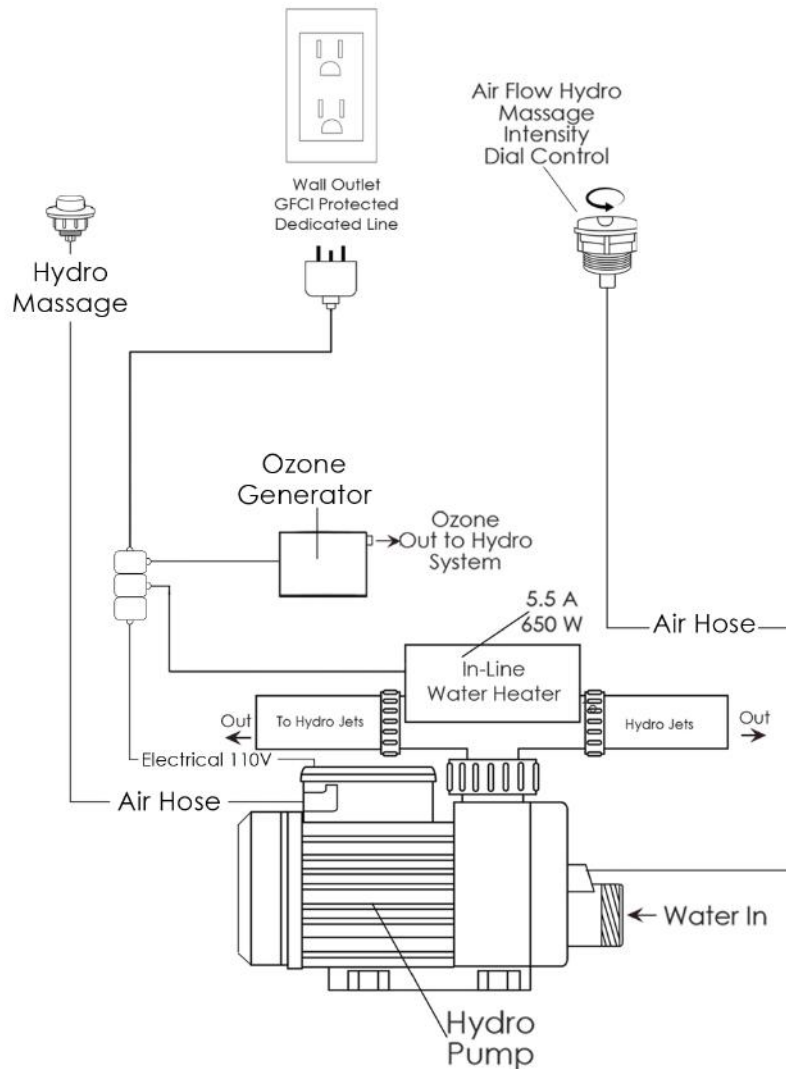
**3. MicroBubble Therapy System** 10AMP 1200W

- 1HP Pump
- Pressure Vessel
- Air Switch and one (1) jet
- Agitator Valve

**Electrical Requirements:**

Two (2) dedicated 120V electrical lines with 20AMP GFCI standard three prong outlets are required

Hydro Massage



**Package Jetting Information:**

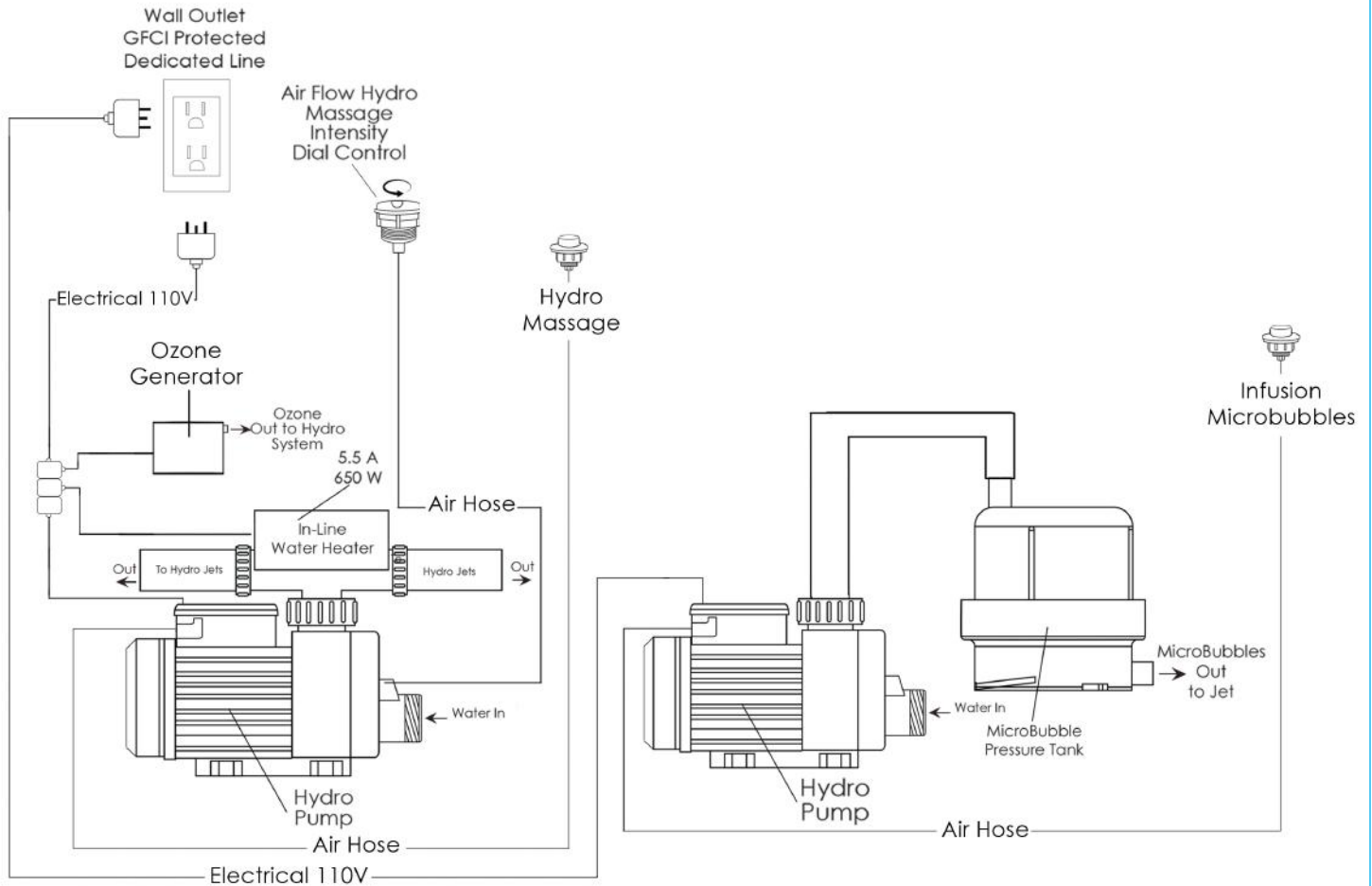
- 1. Hydro Foot Massage System** 5AMP 600W
- Refer to technical drawing for jet count
  - Hydro Massage Air Flow Intensity Control
  - In-line water heater 5.5AMP 650W
  - Ozone Sterilization

**Electrical Requirements:**

One (1) dedicated 120V electrical line with a 20AMP GFCI standard three prong outlet is required



Hydro Massage + Infusion Microbubble Therapy



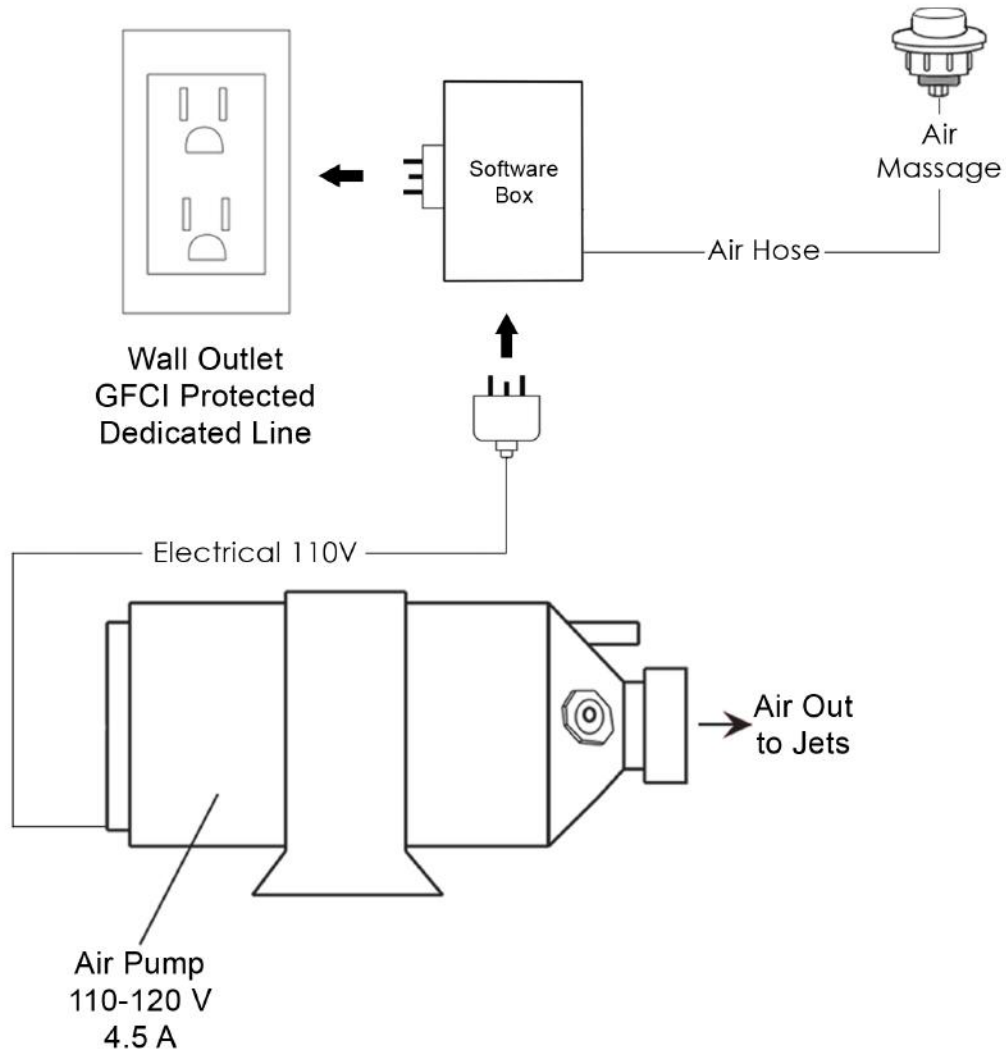
**Package Jetting Information:**

- 1. Hydro Massage System 5AMP 600W**
  - Refer to technical drawing for jet count
  - Hydro Massage Air Flow Intensity Control
  - In-line water heater 5.5AMP 650W
  - Ozone Sterilization
- 2. MicroBubble Therapy System 10AMP 1200W**
  - 1HP Pump
  - Pressure Vessel
  - Air Switch and one (1) jet
  - Agitator Valve

**Electrical Requirements:**

One (1) dedicated 120V electrical line with a 20AMP GFCI standard three prong outlet is required

Air Massage



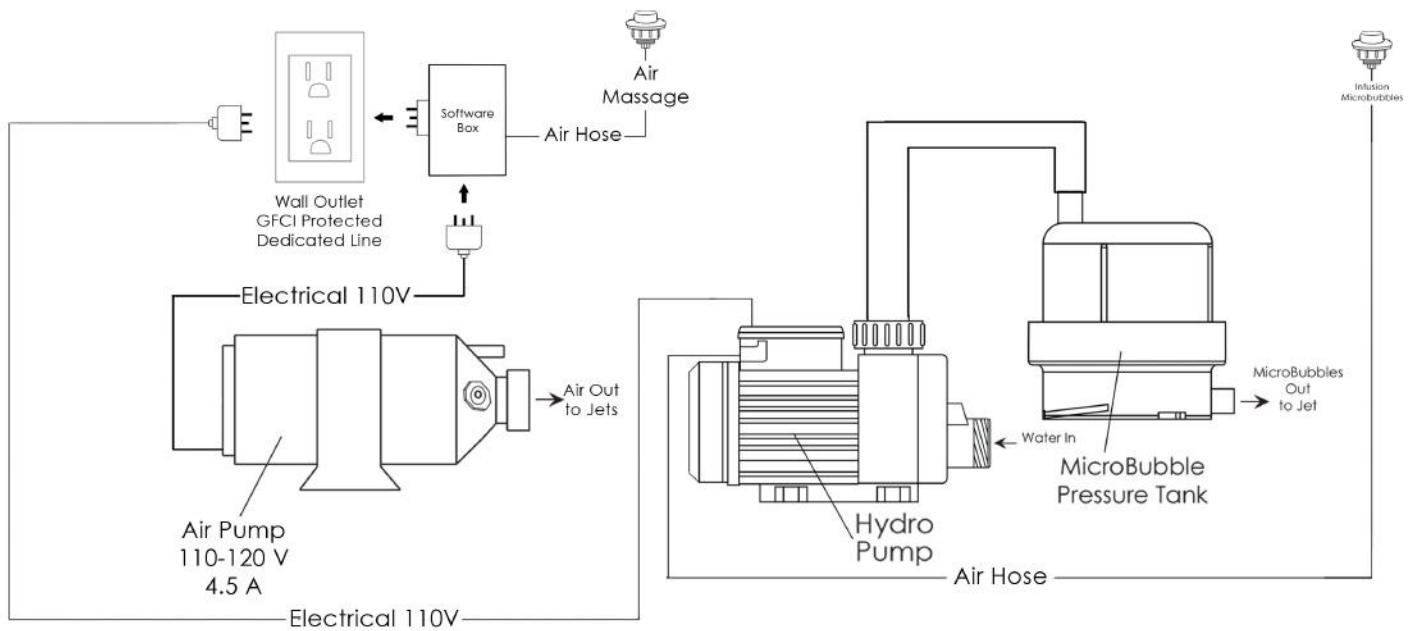
**Package Jetting Information:**

- 1. Air Massage System** 4.5AMP 486W
- Refer to technical drawing for jet count
  - Variable speed pump with autopurge

**Electrical Requirements:**

One (1) dedicated 120V electrical line with a 15AMP GFCI standard three prong outlet is required

Air Massage + Infusion Microbubble Therapy



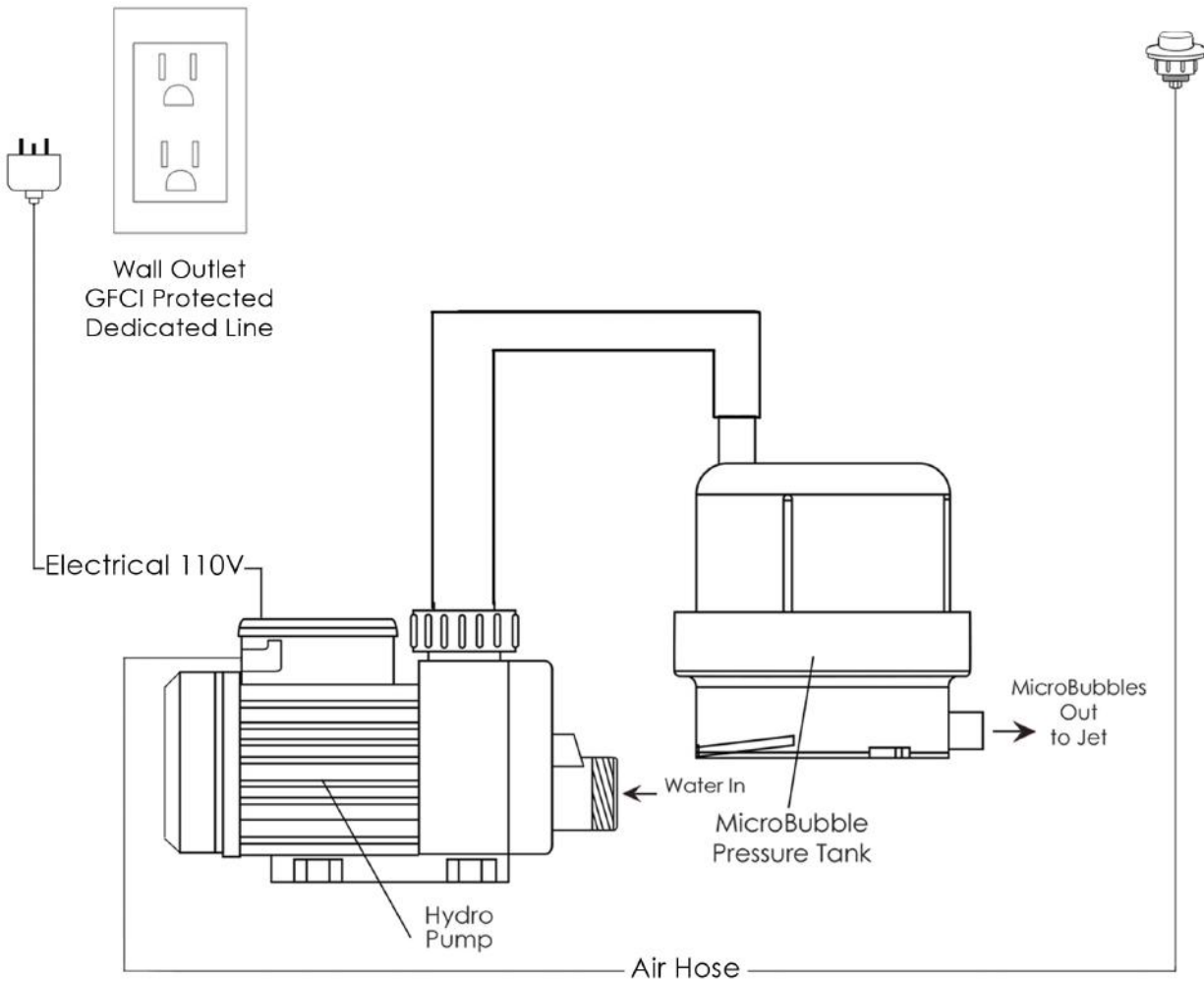
**Package Jetting Information:**

- 1. Air Massage System** 4.5AMP 486W
  - Refer to technical drawing for jet count
  - Variable speed pump with autopurge
- 2. MicroBubble Therapy System** 10AMP 1200W
  - 1HP Pump
  - Pressure Vessel
  - Air Switch and one (1) jet
  - Agitator Valve

**Electrical Requirements:**

One (1) dedicated 120V electrical line with a 20AMP GFCI standard three prong outlet is required

Infusion Microbubble Therapy



**Package Jetting Information:**

- 1. MicroBubble Therapy System 10AMP 1200W**
- 1HP Pump
  - Pressure Vessel
  - Air Switch and one (1) jet
  - Agitator Valve

**Electrical Requirements:**

One (1) dedicated 120V electrical line with a 20AMP GFCI standard three prong outlet is required