

## Petite

**Actual Size:** 27.5x52.25x38

**Seat Width:** 19.75 inches

**Shipping Size:** 30x54x50

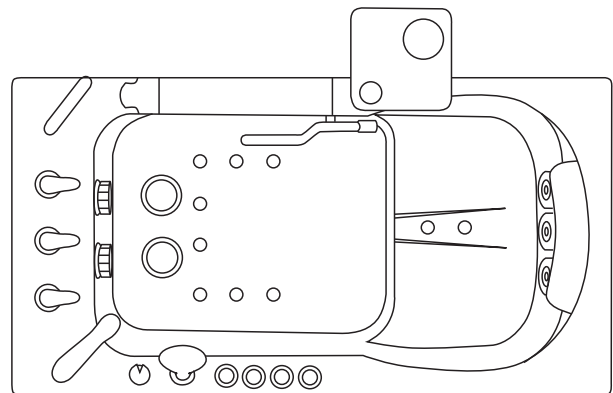
**Shipping Weight:** 260 lbs.

**Net Weight:** 200 lbs.

**Water Capacity:** 70 gal.

**Occupied:** 30-50 gal.

**Drainage Time:** +/- 80 sec at  
ideal home plumbing conditions  
(occupied)



### Included Features

- Acrylic Tub Shell:
  - High quality acrylic
  - Excellent color uniformity
  - High Gloss White Finish
  - Fiberglass Reinforced
- Stainless Steel Frame with Adjustable Leveling Legs
- Inward swing removeable brushed stainless steel door with tempered glass
- Two (2) front and one (1) end removable access panel
- Stainless steel chrome finish U-shape deck mount grab bar
- Extension panel, filler for 60" alcove installations
- 360 Removable swivel tray

### Floor Drains - 2 Options

- Two (2) 2" PVC T-type two (2) outlet drain with endcaps Two (2) overflows and cable operated openers with extended handles for easier grip in chrome finish
- Two (2) 2" Brass threaded floor drains with copper overflow and cable operated opener with extended handle

### Warranty

- Lifetime limited warranty on acrylic walk in tub shell, frame, and door
- 5 year parts warranty (please visit [www.ellasbubbles.com](http://www.ellasbubbles.com) for more detailed information)

### Optional Jetting

(Please refer to diagrams below based on selected package)

- Hydro Massage System
  - Hydro Massage Pump 5AMP 600W
  - Hydro massage intensity dial air control
  - In-line water heater 5.5AMP 650W
  - Ozone Sterilization
  - Refer to technical drawing for jet count
- Air Massage System
  - Air Massage Pump 4.5AMP 486W
  - Refer to technical drawing for jet count
  - 3 Speed Pump
  - Autopurge (Activates 20 minutes after pump shutdown)

### Optional Jetting

(Please refer to diagrams below based on selected package)

- MicroBubble Therapy System
  - 1HP Pump 10AMP 1200W
  - Pressure Vessel
  - On/Off Push Control
  - Agitator Valve
- Dual Jetting (Air + Hydro)
- Soaking (No Jetting Option)

### Optional Features

- Heated Seat and Backrest 4AMP 470W
- LED Chromatherapy Light .04AMP (Hydro + Air Package)
- Aromatherapy
- On/Off Push Controls or Digital Controller

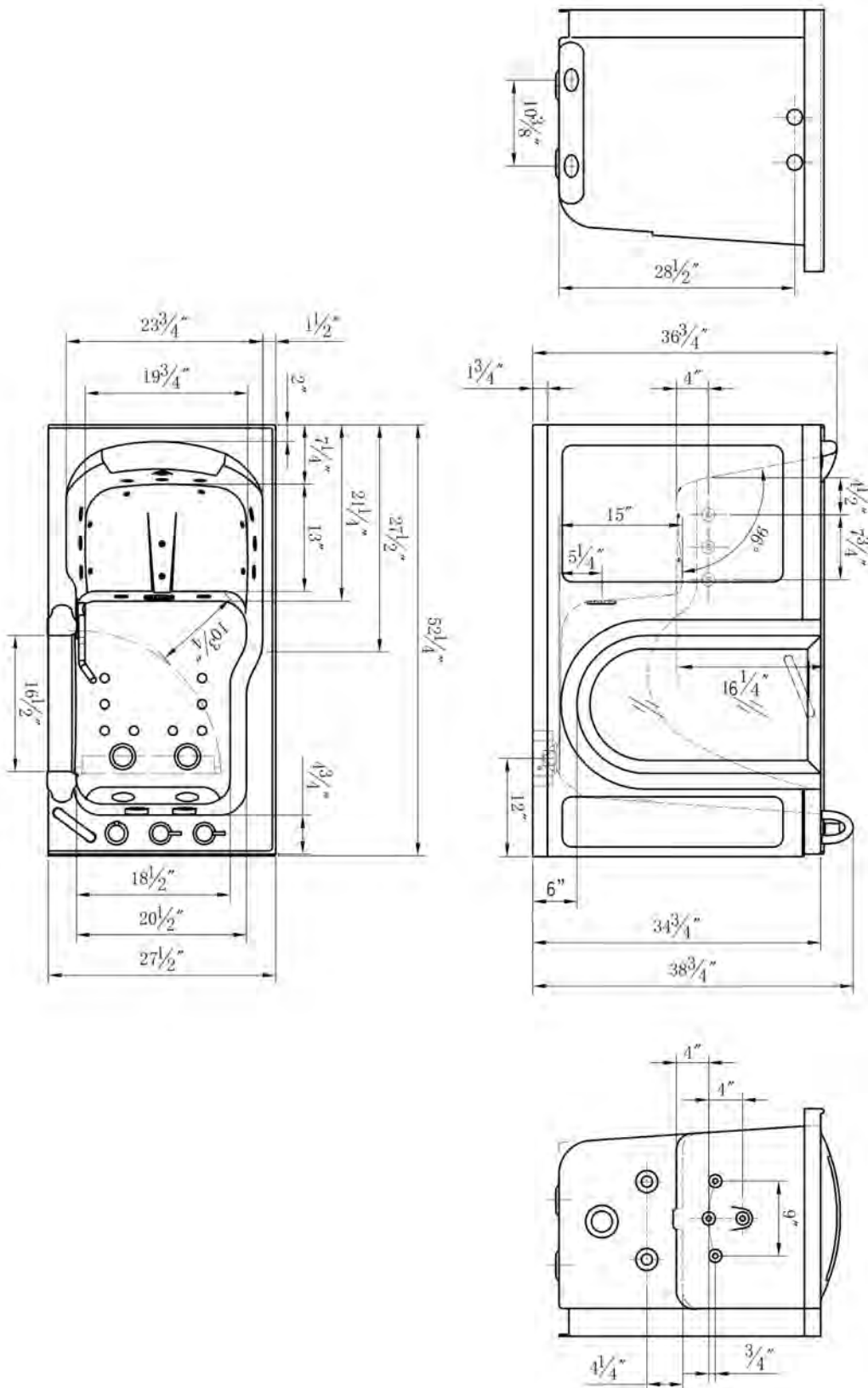
### Faucet Options

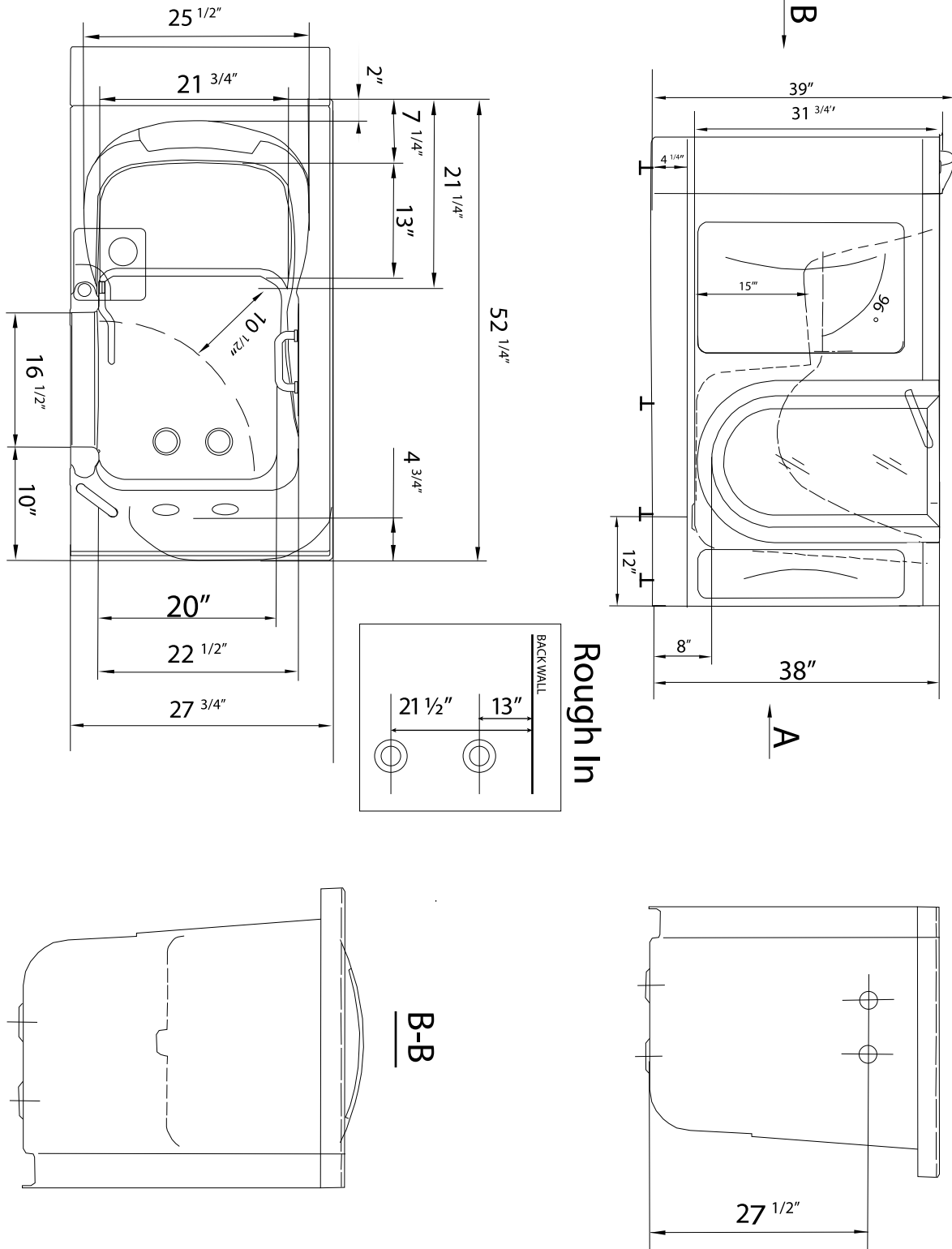
- Five-Piece Thermostatic Control Valve Faucet Set**
  - 7-8 GPM (average) @ 60 PSI at ideal in home plumbing conditions
  - Two (2) 2-way diverters with extension handles
  - Pull out, hand held, chrome plated hand shower with 5 ft. retractable stainless steel braided hose
  - 1 year warranty
- Five-Piece Fast Fill Huntington Brass Faucet Set**
  - 14-18 GPM (average) @ 60 PSI at ideal in home plumbing conditions
  - Pull out, hand held, chrome plated hand shower with 5 ft. retractable stainless steel braided hose
  - 5 year warranty
  - visit [www.huntingtonbrass.com/warranty](http://www.huntingtonbrass.com/warranty) for full warranty information
- Five-Piece Jandon Roman Faucet Set**
  - 14-16 GPM (average) @ 60 PSI at ideal in home plumbing conditions
  - Pull out, hand held, chrome plated hand shower with 5 ft. retractable stainless steel braided hose
  - 5 year warranty
  - visit <https://www.jandonfaucet.com/> for full warranty information

### Electrical Requirements:

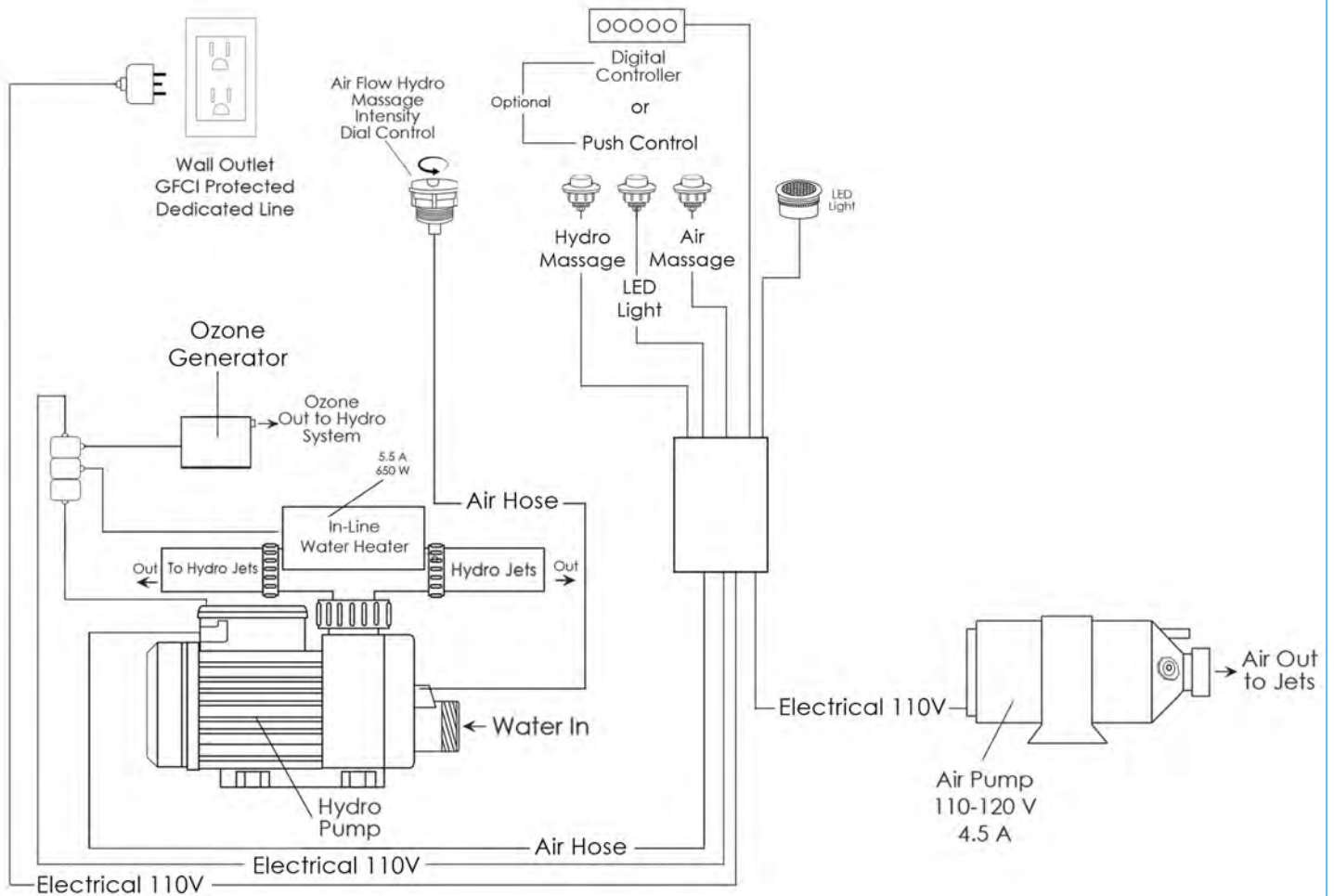
Please refer to Technical Diagrams for more information

Petite - Inward Swing Door Walk In Bathtub Drawing with 2" T Type Dual Port Drain (Option 1)





Hydro Massage + Air Massage  
(Dual)



**Package Jetting Information:**

**1. Hydro Massage System** 5AMP 600W

- Refer to technical drawing for jet count
- Hydro Massage Air Flow Intensity Control
- In-line water heater 5.5AMP 650W
- Ozone Sterilization

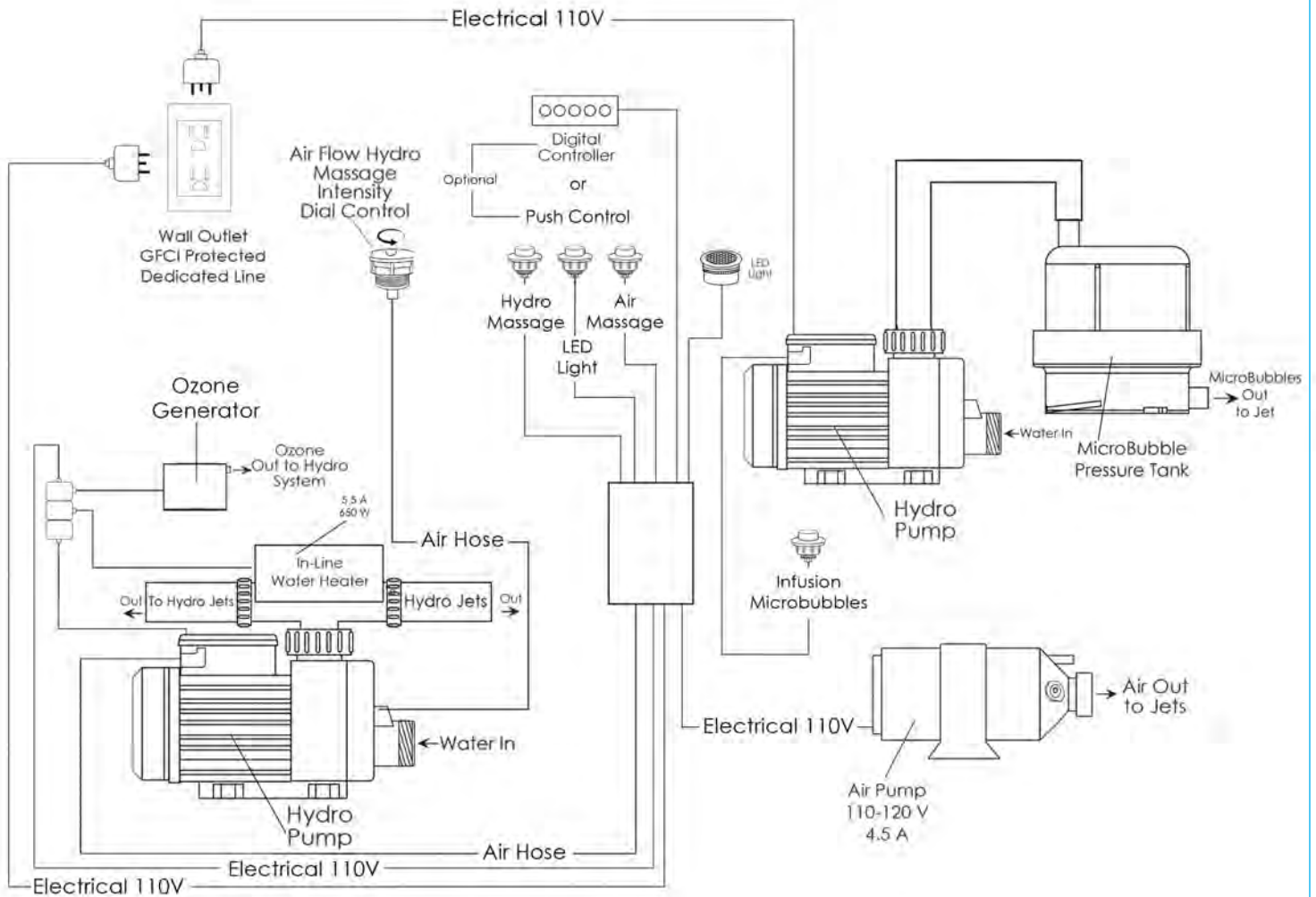
**2. Air Massage System** 4.5AMP 486W

- Refer to technical drawing for jet count
- 3 Speed Pump
- Autopurge (Activates 20 minutes after pump shutdown)

**Electrical Requirements:**

One (1) dedicated 120V electrical line with a 20AMP GFCI standard three prong outlet is required

Hydro Massage + Air Massage + Infusion Microbubble Therapy



**Package Jetting Information:**

**1. Hydro Massage System** 5AMP 600W

- Refer to technical drawing for jet count
- Hydro Massage Air Flow Intensity Control
- In-line water heater 5.5AMP 650W
- Ozone Sterilization

**2. Air Massage System** 4.5AMP 486W

- Refer to technical drawing for jet count
- 3 Speed Pump
- Autopurge (Activates 20 minutes after pump shutdown)

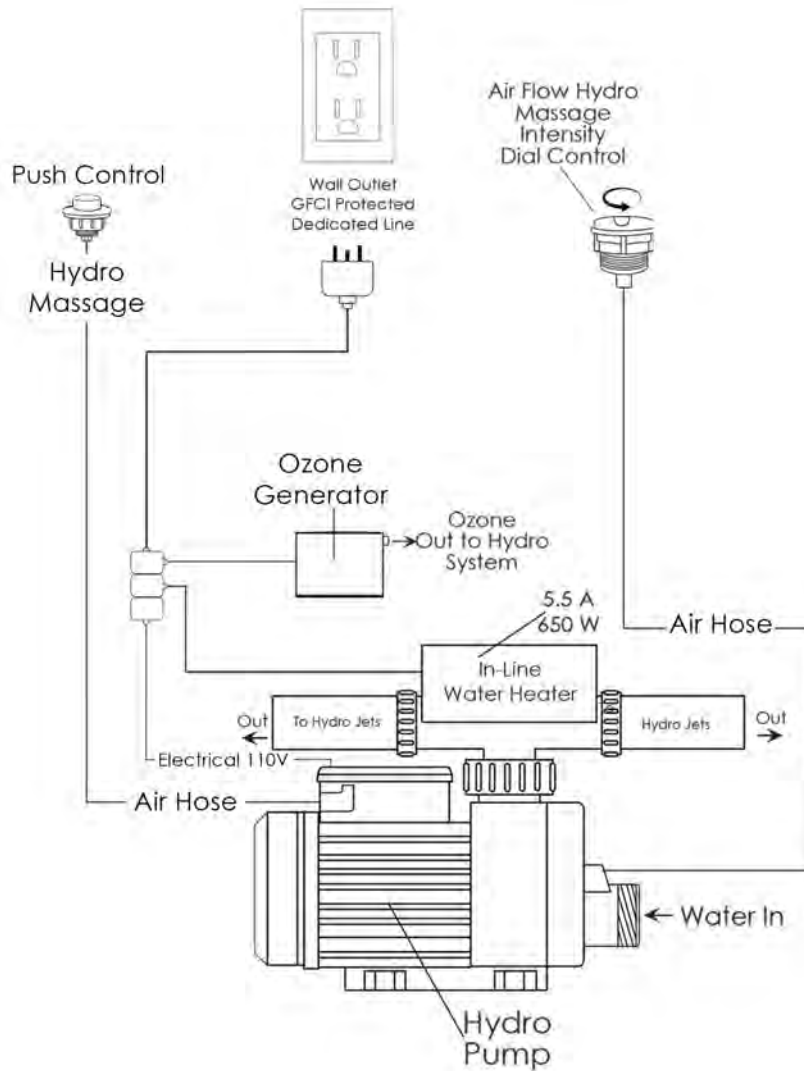
**3. MicroBubble Therapy System** 10AMP 1200W

- 1HP Pump
- Pressure Vessel
- Air Switch and one (1) jet
- Agitator Valve

**Electrical Requirements:**

Two (2) dedicated 120V electrical lines with 20AMP GFCI standard three prong outlets are required

Hydro Massage



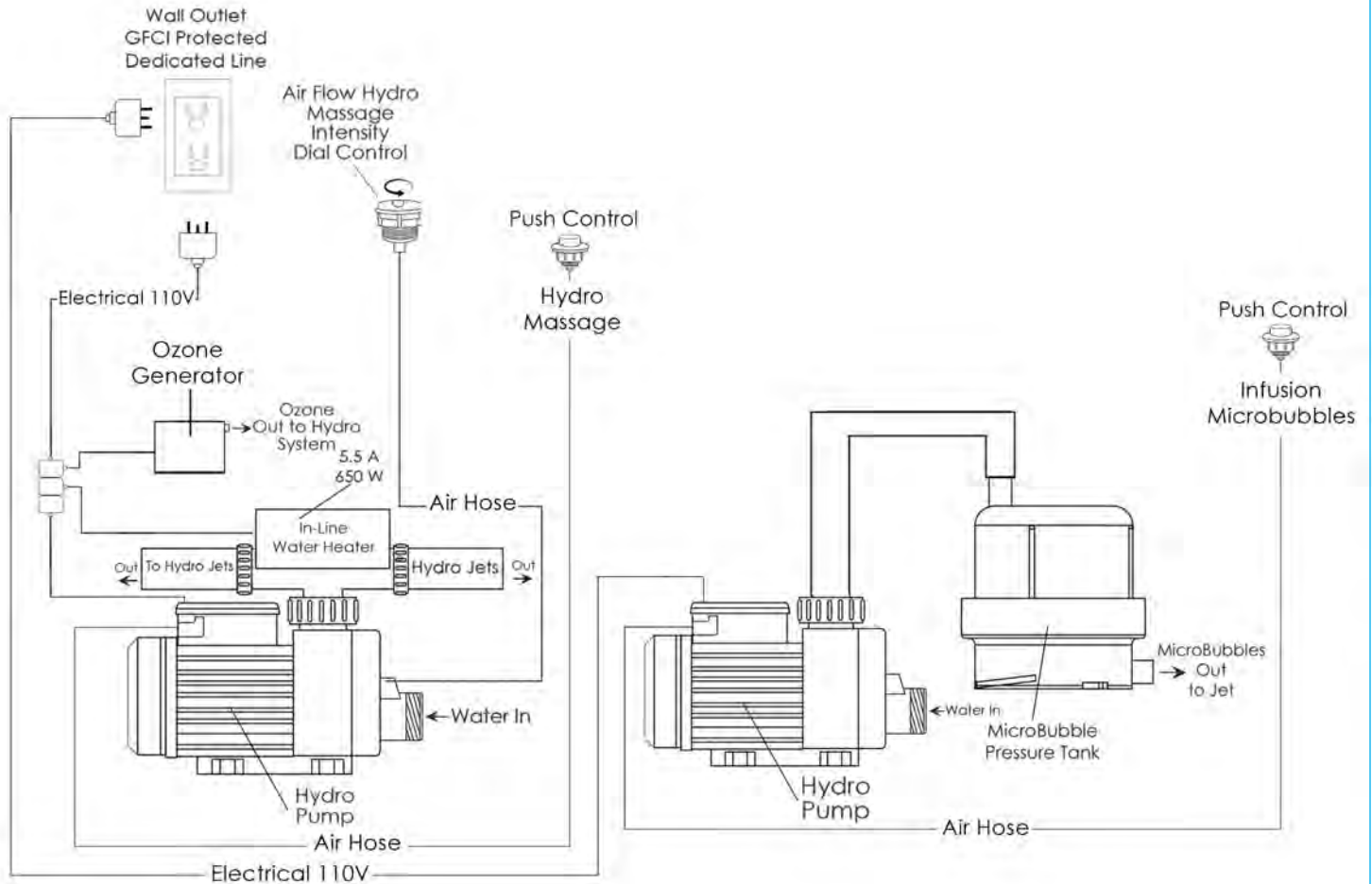
**Package Jetting Information:**

- 1. Hydro Foot Massage System 5AMP 600W**
- Refer to technical drawing for jet count
  - Hydro Massage Air Flow Intensity Control
  - In-line water heater 5.5AMP 650W
  - Ozone Sterilization

**Electrical Requirements:**

One (1) dedicated 120V electrical line with a 20AMP GFCI standard three prong outlet is required

Hydro Massage + Infusion Microbubble Therapy



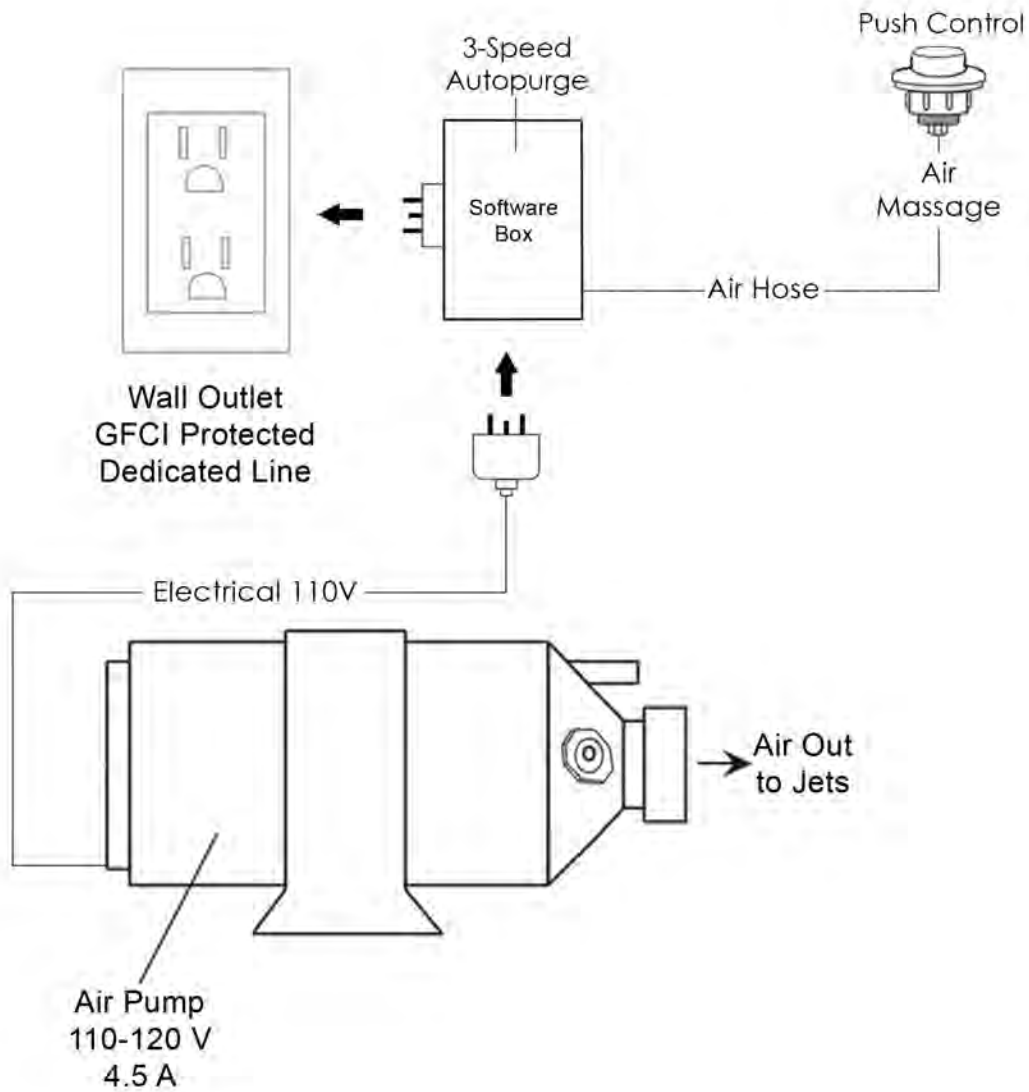
**Package Jetting Information:**

- 1. Hydro Massage System 5AMP 600W**
  - Refer to technical drawing for jet count
  - Hydro Massage Air Flow Intensity Control
  - In-line water heater 5.5AMP 650W
  - Ozone Sterilization
- 2. MicroBubble Therapy System 10AMP 1200W**
  - 1HP Pump
  - Pressure Vessel
  - Air Switch and one (1) jet
  - Agitator Valve

**Electrical Requirements:**

One (1) dedicated 120V electrical line with a 20AMP GFCI standard three prong outlet is required

Air Massage



**Package Jetting Information:**

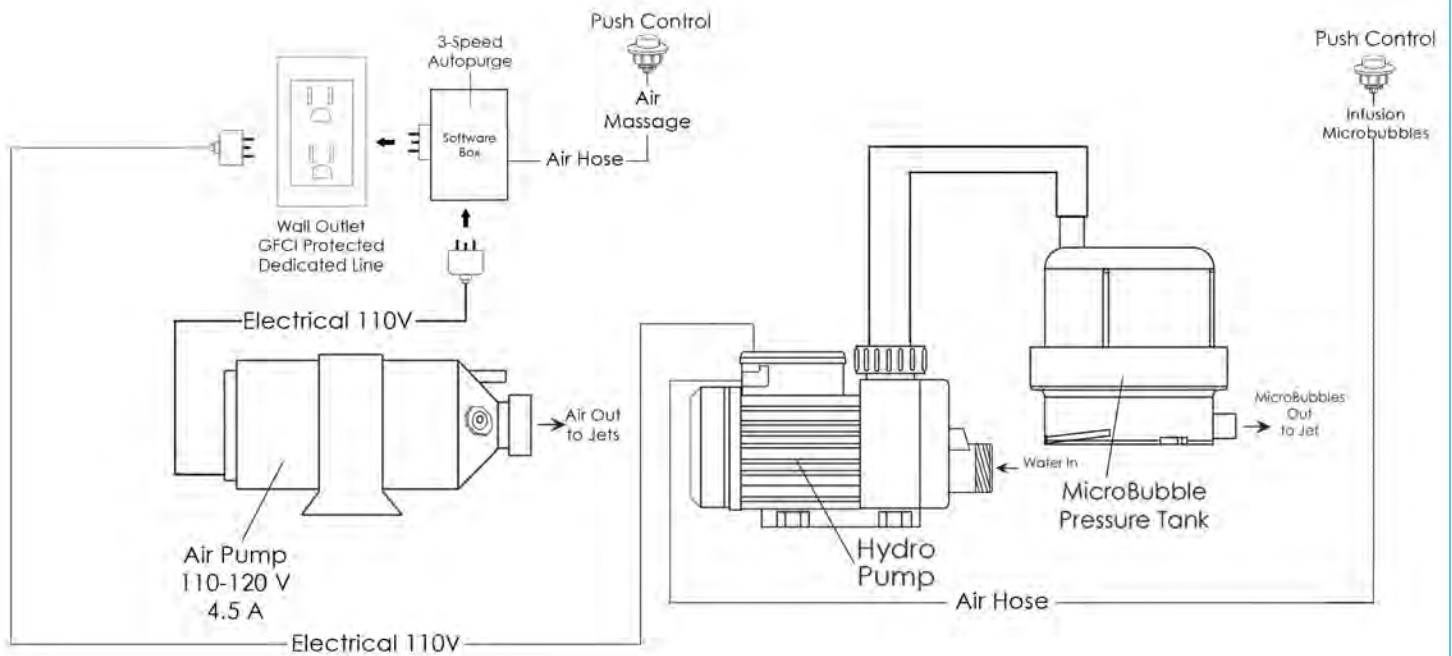
- 1. Air Massage System** 4.5AMP 486W
- Refer to technical drawing for jet count
  - 3 Speed Pump
  - Autopurge (Activates 20 minutes after pump shutdown)

**Electrical Requirements:**

One (1) dedicated 120V electrical line with a 15AMP GFCI standard three prong outlet is required



Air Massage + Infusion Microbubble Therapy



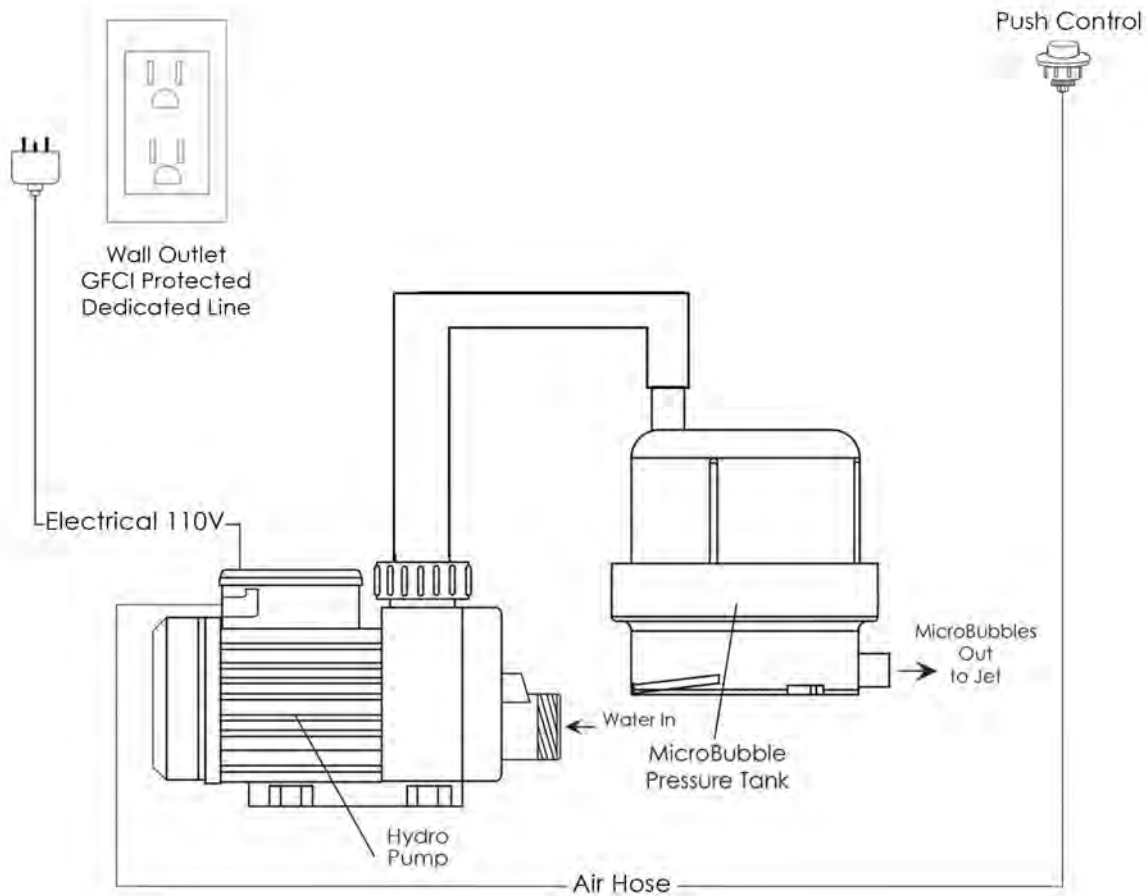
**Package Jetting Information:**

- 1. Air Massage System** 4.5AMP 486W
  - Refer to technical drawing for jet count
  - 3 Speed Pump
  - Autopurge (Activates 20 minutes after pump shutdown)
- 2. MicroBubble Therapy System** 10AMP 1200W
  - 1HP Pump
  - Pressure Vessel
  - Air Switch and one (1) jet
  - Agitator Valve

**Electrical Requirements:**

One (1) dedicated 120V electrical line with a 20AMP GFCI standard three prong outlet is required

Infusion Microbubble Therapy



**Package Jetting Information:**

**1. MicroBubble Therapy System 10AMP 1200W**

- 1HP Pump
- Pressure Vessel
- Air Switch and one (1) jet
- Agitator Valve

**Electrical Requirements:**

One (1) dedicated 120V electrical line with a 20AMP GFCI standard three prong outlet is required