



# 5pc Roman Tub Filler HB9937P

## Description

- 8" - 16" Roman Tub Filler
- Solid brass spout
- ceramic disc cartridges
- Quick connect spout installation
- NPS connections
- 18 GPM (average) @ 60 PSI

## Standards

- ASME A112.18.1 Compliant
- Listed IAPMO / UPC & cUPC
- ADA Accessibility Guidelines for Buildings and Facilities - 4.27.4 Controls and Mechanisms

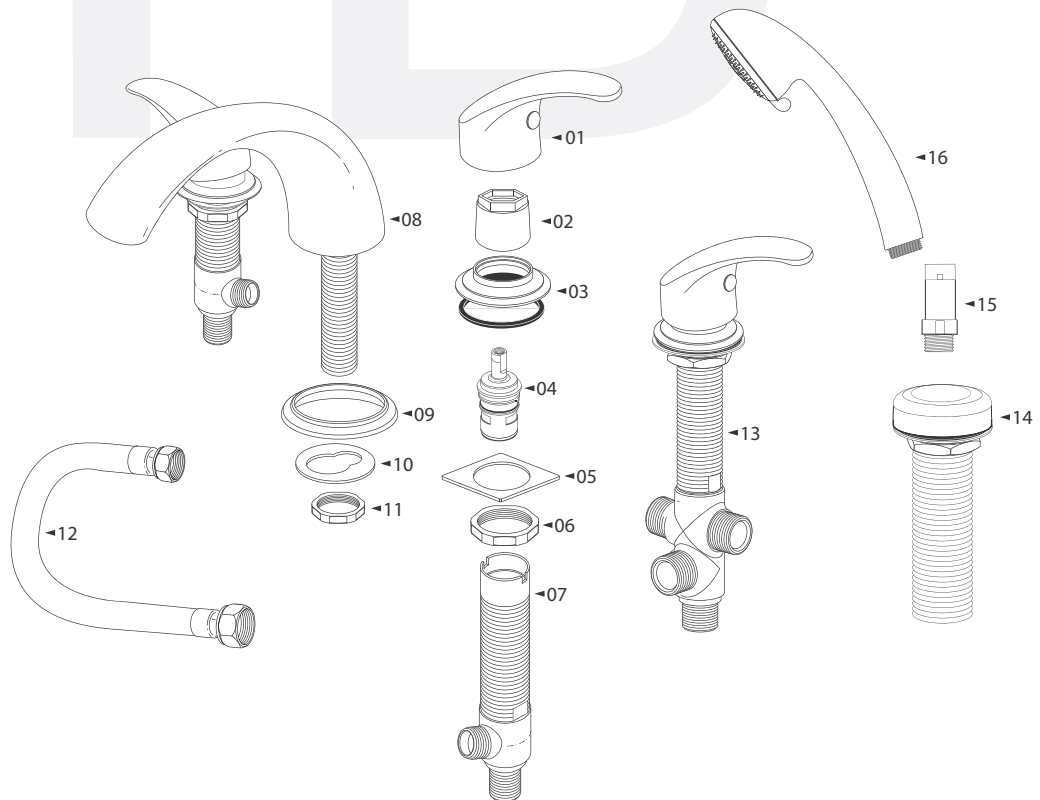


## Colors / Finishes

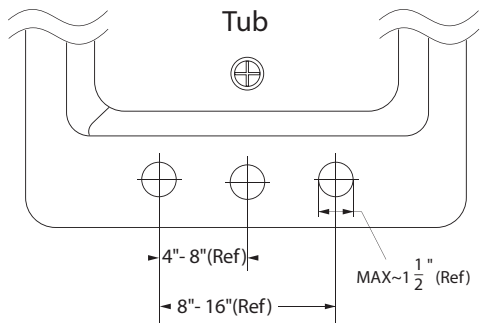
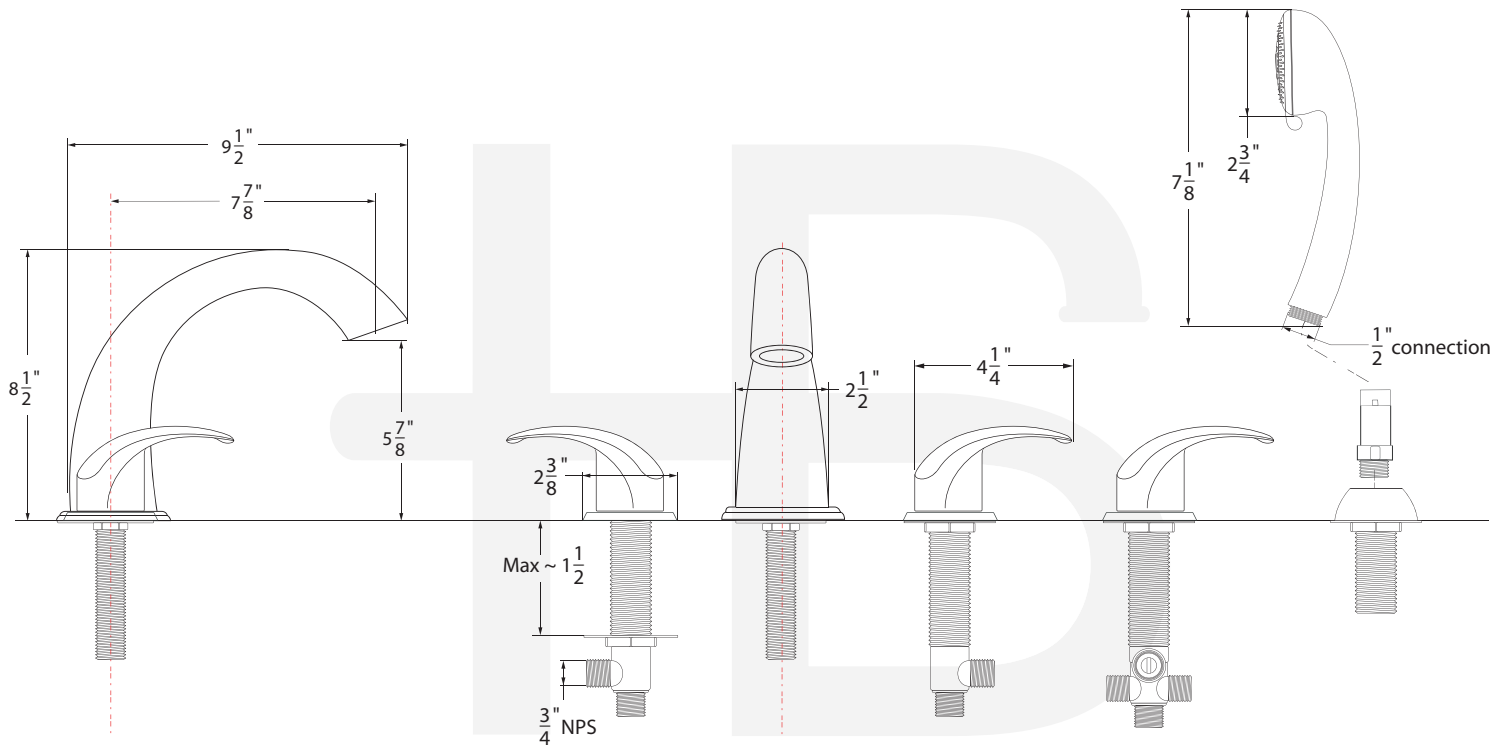
- C - Chrome
- NK - Satin Nickel

## BREAK DOWN Component Parts List

#	PART NAME	QTY
1	LEVER HANDLE	3
2	CARTRIDGE RETAINING NUTS	2
3	FLANGE STEP W/ RUBBER RING	2
4	HOT AND COLD CARTRIDGES	1 ea.
5	METAL WASHER	2
6	LOCK NUT	2
7	HOT AND COLD VALVES	1 ea.
8	SPOUT W/ SHANK	1
9	SPOUT RING	1
10	METAL WASHER	1
11	LOCK NUT	1
12	HOSE	2
13	TRANSFER VALVE SET	1
14	HAND SHOWER HOLDER ASSEMBLY	1
15	45 DEGREE ELBOW	1
16	HAND SHOWER	1



# SPECIFIED MODEL



Item Number	Type	Date
HB9937P	5-pc Roman Tub Filler	05/04/2012