

## THANK YOU...

Thank you for purchasing the Advantage Rail™ / Pole™. We are confident that you will find the unique design and durable construction of this product to be of great assistance in your daily routine.

To fully enjoy your Advantage Rail™ / Pole™, please take a few moments to read these instructions. You should store these instructions in a safe place for future reference.

## SAFETY CONSIDERATIONS

**CAUTION:** It is your responsibility to see that your Advantage Rail™ / Pole™ is properly assembled, installed, and cared for. Failure to follow instructions in this manual could result in serious injury. Support rails can be slippery when wet - use this product with caution.

### ADVANTAGE RAIL™ / POLE™ INSTALLATION / MAINTENANCE

The Advantage Rail™ / Pole™ should only be installed in areas where the floor is structurally sound. If you are not equipped to undertake the outlined work we recommend that you have your Advantage Rail™ / Pole™ installed by a qualified contractor. Product must be secured to floor with fasteners appropriate to the floor material - each fastener must have a retention force rated of at least 600 lbs/272kg (800lbs/360kg for Heavy Duty models) - see reverse for recommendations. Floor mount fasteners should be inspected monthly and tightened if necessary. Maximum suggested user weight as follows, however this rating is conditional upon suitable fasteners and supporting surface:

| MODEL    | DESCRIPTION          | WEIGHT CAPACITY |
|----------|----------------------|-----------------|
| AR-TA    | Lightweight T-Handle | 160 lbs/75kg    |
| AR-T     | *Standard T-Handle   | 300lbs/136kg    |
| AR-T-HD  | *Bariatric T-Handle  | 450lbs/205kg    |
| AR-AP-HD | Bariatric Pole       | 450lbs/205kg    |

\*Identify the Bariatric model by the gusset under the T-Handle.

## WARRANTY

All HealthCraft™ Products are covered by a one year limited warranty with the exception of hand grips which are subject to normal wear. Buyer hereby indemnifies, agrees to hold harmless and defend HealthCraft™ Products Inc. from and against any and all liabilities, claims, (founded and unfounded), losses, damages, costs and expenses (including without limitation consequential damages and reasonable professional fees) resulting from buyers specification, application, or improper use of goods described hereon; buyers omission or neglect.

HealthCraft™ Products Inc. does not assume any liability for damage resulting from services performed by others or faulty installation, misuse or misapplication of goods sold by HealthCraft™ Products Inc.

HealthCraft™ Products Inc. shall not be liable for prospective profits or special, indirect, or consequential damages, or for the cost of any corrective work done without HealthCraft™ Products Inc. prior approval. HealthCraft™ Products Inc. total liability hereunder shall in no event exceed the purchase price of the goods specified hereon.

## GETTING STARTED

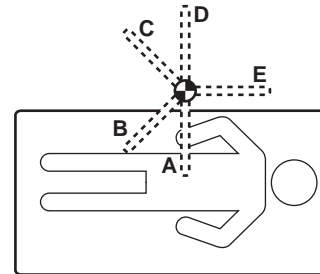
We strongly recommend that you give thought as to the optimal location of your Advantage-Rail™ / Pole™ before installation. **HINT:** Pre-assemble the Advantage-Rail™ without installing the locking pin to test different rail heights and locations. Next install the locking pin at the desired height to determine the locking positions. In addition, the following questions may help you to decide upon a location:

- What motions will you be going through? (pulling up to standing, lowering to sitting, transferring from chair to toilet, etc.)
- For the Advantage Rail™ option, what is the most comfortable horizontal rail height for you - 30", 32", 34", 36" or 38" ( 75, 80, 85, 90 or 95 cm?)
- What is your strongest side/hand?
- What is your complete transfer path? Will the location allow for full support over most of your path of motion? Will the rail be far enough away to allow you to stand comfortably?
- Does the floor mount plate line up with an appropriate location of the floor in the proposed location (i.e. on floor joist, on tile grout seam, etc)?

## ADVANTAGE RAIL™ / POLE™ PLACEMENT

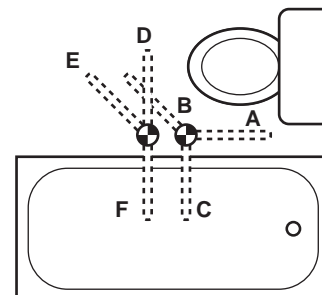
### BEDROOM

Locate pole adjacent to hip/belt line and as close to bed as possible while allowing clearance for bed coverings. If using Advantage Rail™ option, you will need to set the pivot locking positions of the bar. As a suggestion, positions A and E are good for moving in bed, B for pulling up to sitting, C for pulling up to standing and D for transferring out of bed.



### TOILET and / or BATHTUB

**Toilet** - locate pole between 3-10" forward of the knees and 2-6" to side of knees when seated. **Bathtub only** - locate pole base against tub, approximately half way along its length. If using Advantage Rail™ option, you will need to set the pivot locking positions of the bar. As a suggestion, positions B or D are suitable for standing from toilet, C and F for transferring into bathtub, E and D for transferring out of bathtub.



## ADVANTAGE RAIL™ ASSEMBLY

**A1.** Slide base cover down mast as shown in **Figure 4 (a)**. Remove screw using supplied hex key wrench and uninstall the white pivot bushing in the top of the mast.

**A2.** Slide white pivot bushing and grey sleeve up rail as shown in **Figure 1 (a)**.

**A3.** Each hole in the pivot rail corresponds to a specific horizontal rail height (from the floor). To set rail height, slide grey sleeve up rail until hole aligns with desired height hole in rail. Tap supplied pin through hole with hammer as shown in **Figure 1 (b)**, leaving an equal amount of the pin on either side of tube. The white pivot bushing will remain loose at this time.

**A4.** Insert rail into the mast as shown in **Figure 2 (a)**. Re-install white pivot bushing **(b)** and secure with screw using hex key wrench as shown in **Figure (c)**.

## ADVANTAGE POLE™ ASSEMBLY

**B1.** Slide base cover down mast as shown in **Figure 4 (a)**. Insert pole into the mast as shown in **Figure 3 (a)**. Install white pivot bushing **(b)** and secure with screw using hex key wrench **(c)**.

## INSTALLATION INSTRUCTIONS

**C1.** Determine appropriate mounting location for mast. See the following pages for references:  
Page 1 - Advantage Rail™ / Pole™ Placement  
Page 3 - Fasteners & Installation.

**C2.** Slide base cover up to expose floor plate as shown in **Figure 4 (b)**.

**C3.** Secure mast to floor using 6 (six) fasteners appropriate to the floor material as shown in **Figure 4 (c)** - see Page 3 for fastener recommendation details. For Advantage Rail, ensure the orientation of the mast allows for the horizontal bar to pivot to the desired locations, and the resulting locking positions are suitable.

**C3.** Slide base cover down mast as shown in **Figure 4 (a)**.

**NOTE:** Perform a final tighten and inspection of all fasteners. Test the installation by vigorously pulling on the support handle of the Advantage Rail™.

Your Advantage Rail™ is now installed.

Figure 1.

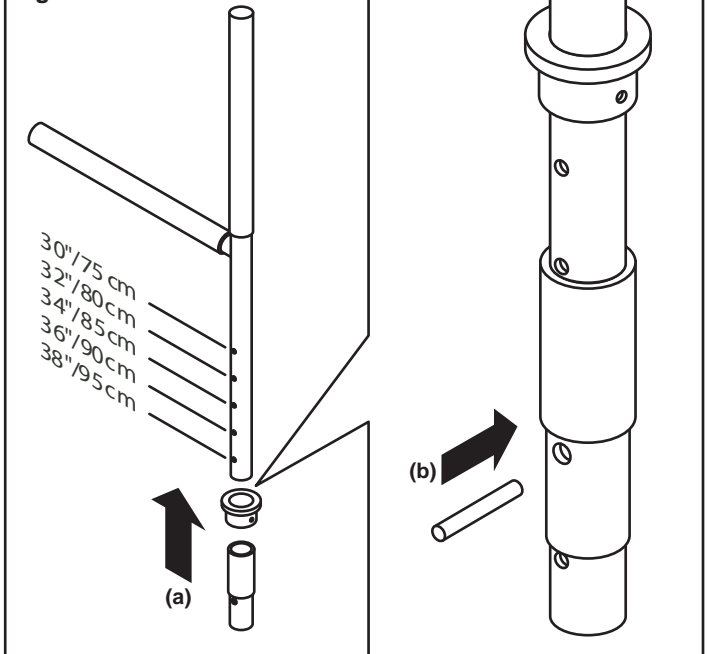


Figure 2.

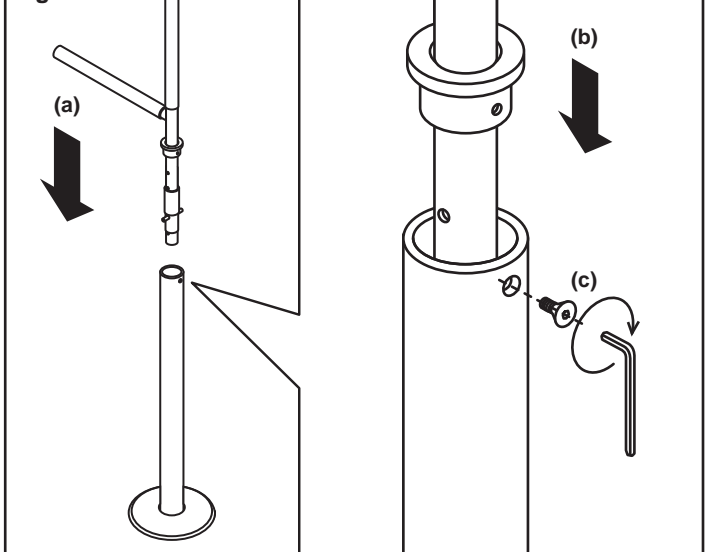


Figure 3.

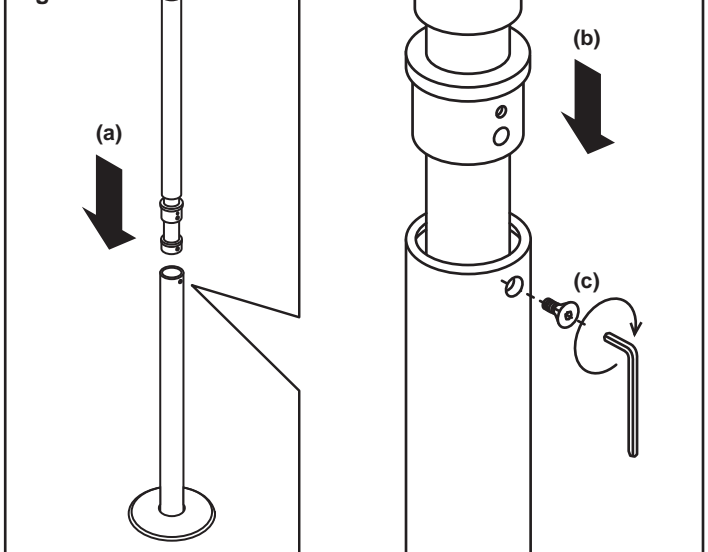
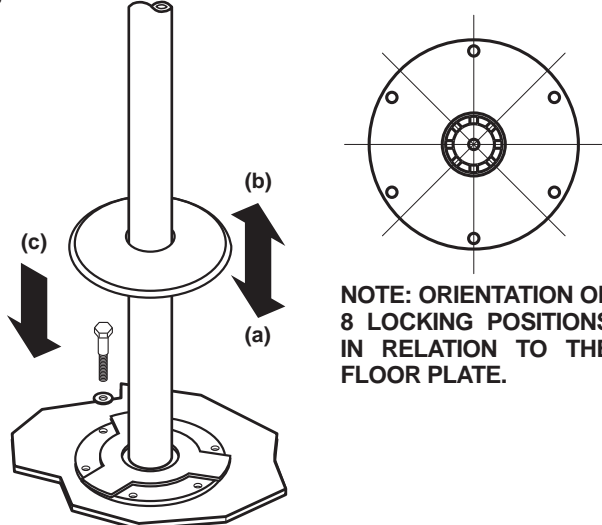


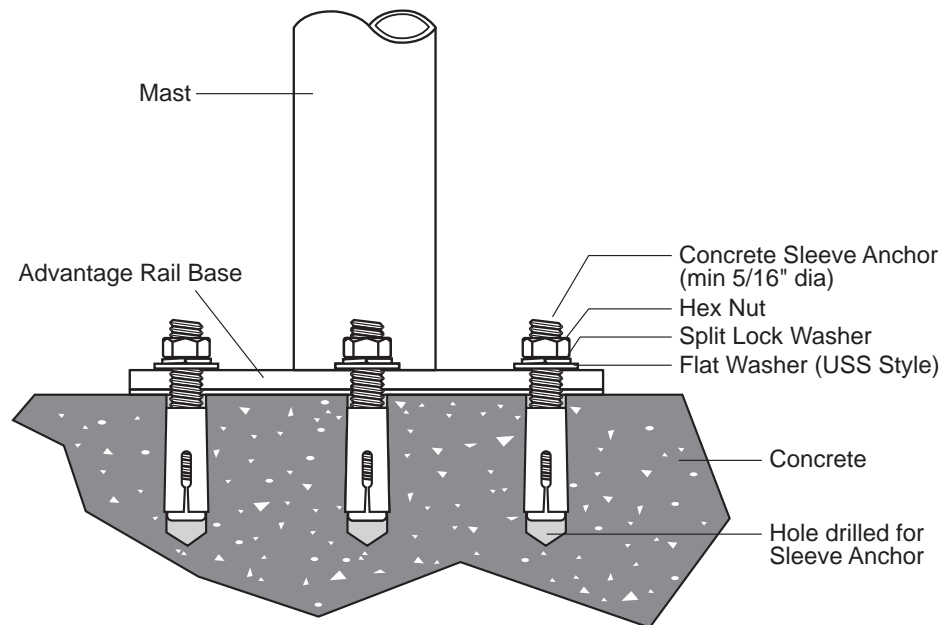
Figure 4.



**NOTE: ORIENTATION OF 8 LOCKING POSITIONS IN RELATION TO THE FLOOR PLATE.**

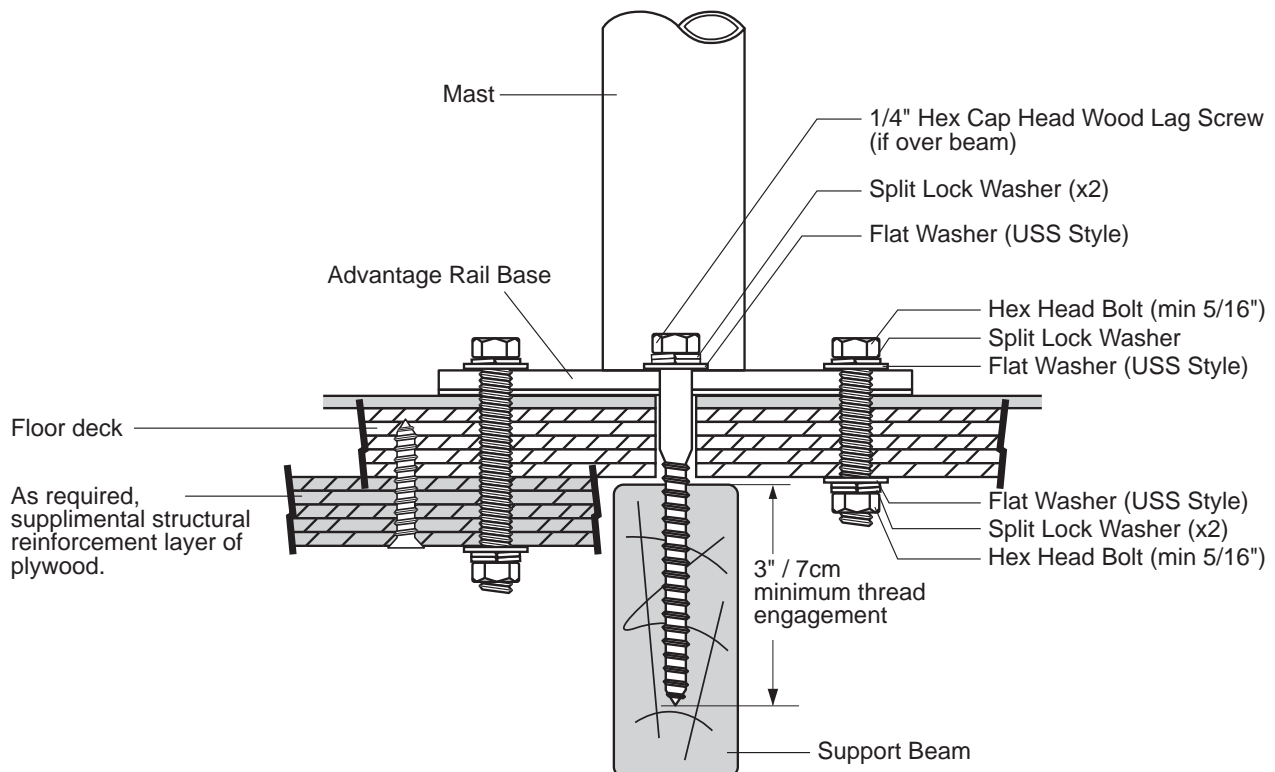
## FASTENER RECOMMENDATIONS / NOTES FOR CONCRETE FLOOR INSTALLATION

Fasteners used for securing the Advantage-Rail™ to the floor require an installed retention force rating of at least 600lbs/272kg (800lbs/360kg for Heavy Duty models) each. For installation on concrete floors, a 5/16" sleeve or wedge type anchor is recommended. Follow fastener manufacturers' recommendations for proper installation.



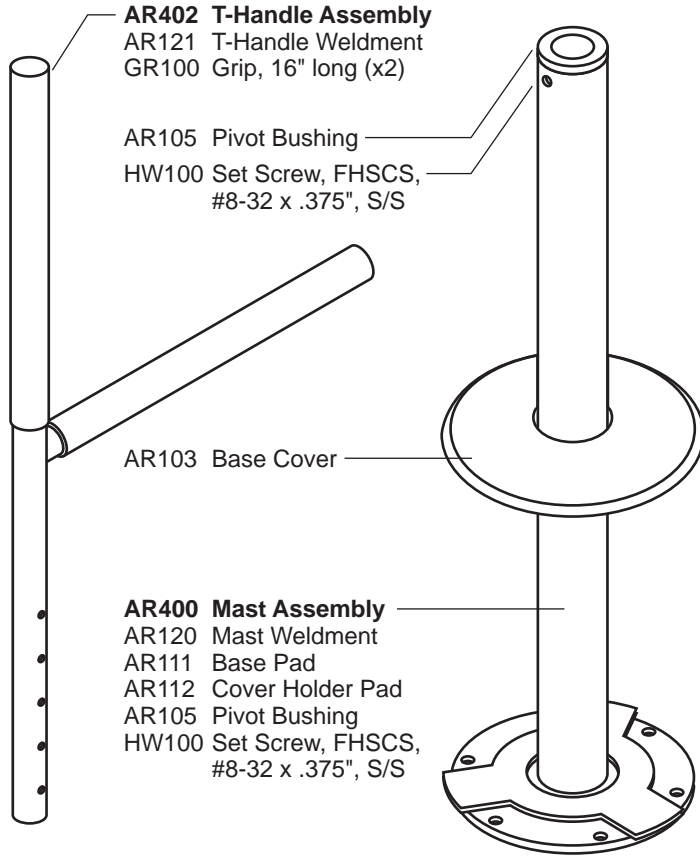
## FASTENER RECOMMENDATIONS / NOTES FOR WOOD DECK FLOOR INSTALLATION

Fasteners used for securing the Advantage-Rail™ to the floor require an installed retention force rating of at least 600lbs/272kg (800lbs/360kg for Heavy Duty models) each. For wood deck floors, a bolt/nut/washers combination is recommended. If a wood support beam is present, install a wood lag screw in those hole locations over the beam, ensuring at least a 3"/7cm thread engagement, and suitable condition of the wood beam to prevent pull-out. **NOTE:** If floor deck is judged to not be structurally sufficient, consider installing reinforcement with another layer of plywood below the floor in the area of the Advantage-Rail™ install.



**AR-T: ADVANTAGE RAIL™**

**HARDWARE**



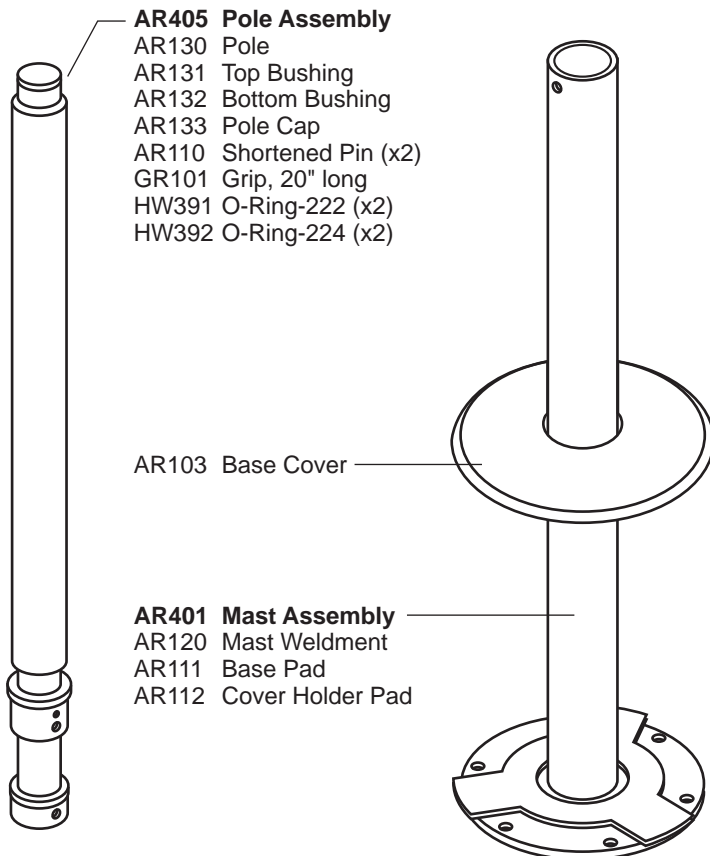
**AR106**  
Pivot Sleeve **x1**

**AR110**  
Shortened Pin **x1**

**HW300**  
Hex-Key, 3/32 in., Short Arm **x1**

**AR-AP-HD: ADVANTAGE POLE™**

**HARDWARE**



**HW100**  
Set Screw, FHSCS, #8-32 x .375", S/S **x1**

**HW300**  
Hex-Key, 3/32 in., Short Arm **x1**